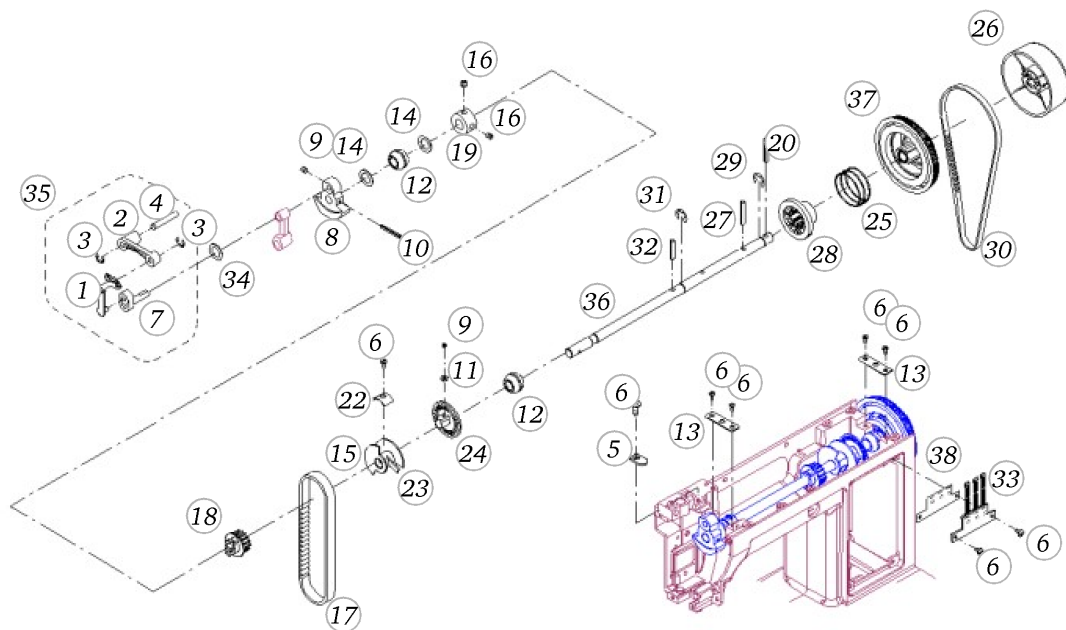




Spare Parts

bernette Chicago 7

bernette Chicago 7

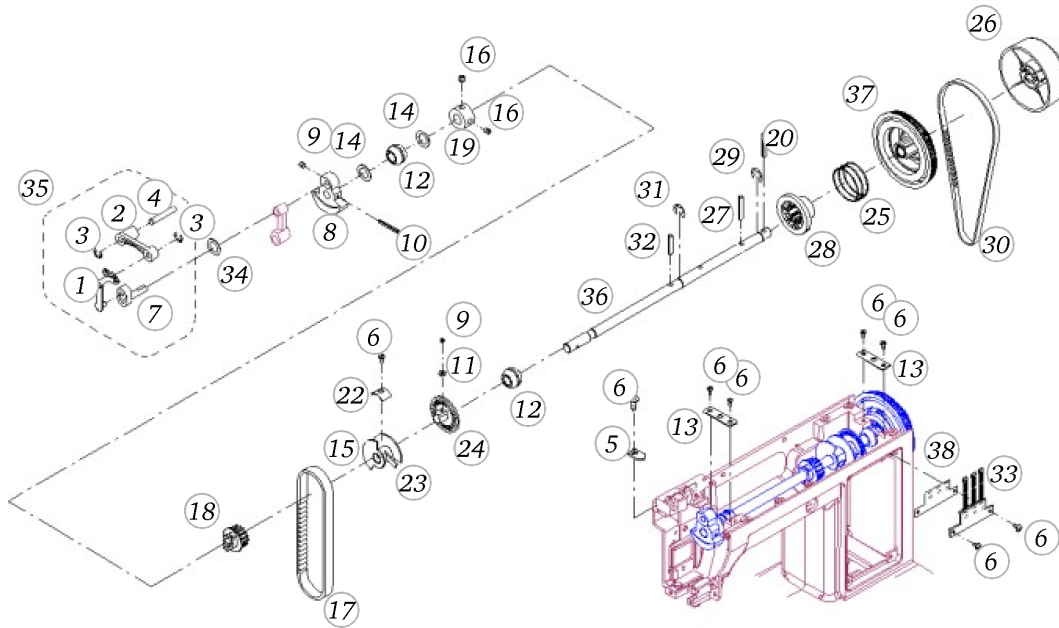


Main shaft with hand wheel

Pos	Item number	Description	Supplier Part no.
1	5020206258	THREAD TAKE UP LEVER CPL	E1A2685000
2	5020207357	THREAD TAKE UP LEVER CPL	D3A0974000
3	5020206095	E-RING ETW-3	003010036
4	5020206077	THREAD TAKE UP LEVER/SUPPORTER	V60223003
5	5020209777	Carrying Handle Shaft(Set Washer)	H13093003
6	5020206112	SET SCREW	004240106
7	H1A0493000	ARM SHAFT BALANCE PIN COMPLETE	
8	H1A0473000	ARM SHAFT BALANCE	
9	5020206113	SET SCREW	004240223
10	5020206336	ARM SHAFT PIN	003043524
11	5020206126	NUT	004840022
12	5020206337	ARM SHAFT BUSHING	R10293000
13	E1A2623003	ARM SHAFT BUSHING HOLDER PLATE	
14	5020209472	Washer (10.2*16*0.5)	004400080
15	CAA1693582	ROTARY SENSOR COLLAR (
16	5020206117	SET SCREW	004250203
17	5020207839	MOTOR DRIVE BELT	00742505M6
18	5020209478	Arm Shaft Sprocket	H1A0403000
19	R10313000	ARM SHAFT COLLAR	
20	5020209106	SPRING PIN	003043030
22	5020209477	ARC WASHER	D3A0043002
23	5020207284	Revolution control panel	008410000
24	008410582	REVOLUTION CONTROL PANEL	
25	5020207285	ARM SHAFT CLUTCH	D5A0573003
26	5020208830	HANDWHEEL	H1B0343209
27	5020209105	SPRING PIN	003043028
28	5020207286	ARM SHAFT COLLAR	D5A0583000
29	003010083	E-RING □ETW-8□	
30	5020207840	MOTOR DRIVE BELT	00749402M5
31	5020209836	E-Ring (E-9)	003010093
32	5020209481	Spring Pin 3*18	003043018
33	5020208829	PHOTO SENSOR PLATE CPL	008CAA0007
34	0044000020	ENDURE ATTRITION WASHER (6.2×12×0.25)	
35	5020207826	THREAD TAKE LEVER CPL	H1A0494000

bernette Chicago 7

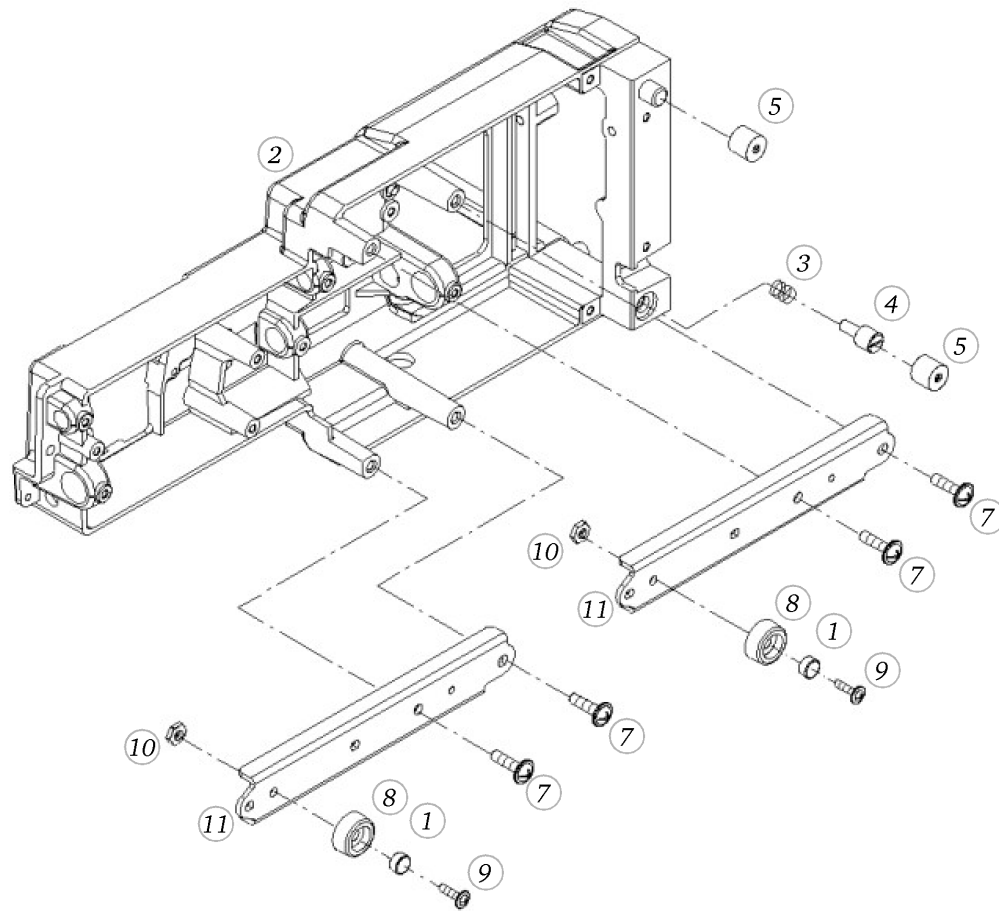
Main shaft with hand wheel



Pos	Item number	Description	Supplier Part no.
36	5020209324	ARM SHAFT	H1A0033000
37	5020209124	ARM SHAFT DRIVE BELT PULLEY	H1A0103000
38	5020206126	NUT	004840022

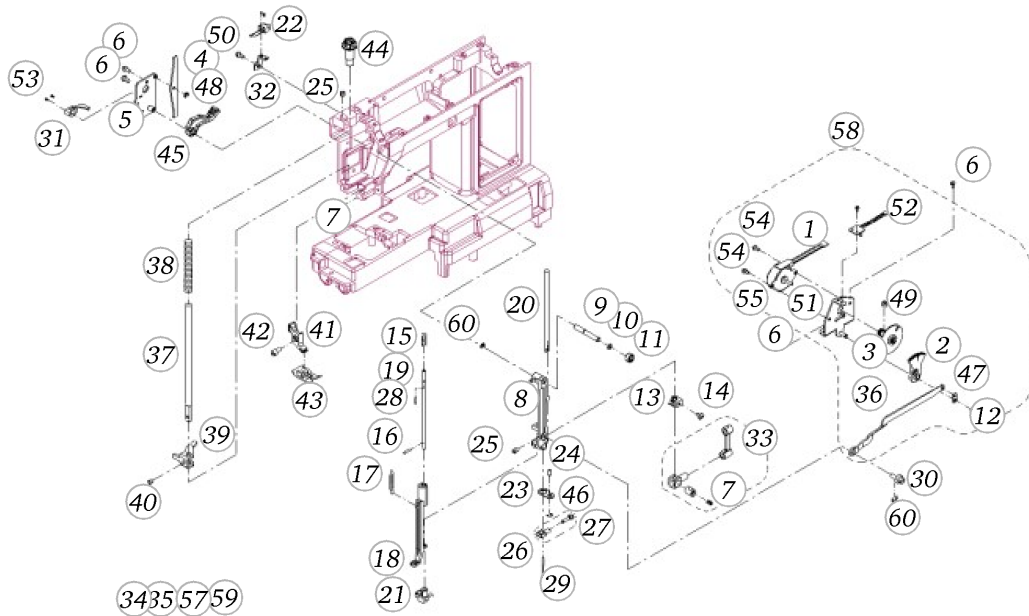
bernette Chicago 7

Chassis



Pos	Item number	Description	Supplier Part no.
1	H1A0583003	SPACER	
2	H1B0013000	ARM	
3	5020205826	BASE PLATE ADJUSTMENT SCREW S	E1A2573006
4	5020205867	BASE PLATE ADJUSTMENT SCREW	K82133006
5	5020208149	FREE ARM BASE CUSHION	K6A0063000
7	004250426	SET SCREW (M5*10) (SET OF 10)	
8	5020206164	FREE ARM BASE CUSHION RUBBER	F31103000
9	5020208929	SET SCREW (M4*8) (SET OF 10)	004240586
10	5020206126	NUT	004840022
11	H1A0413006	FREE ARM BASE CUSHION	

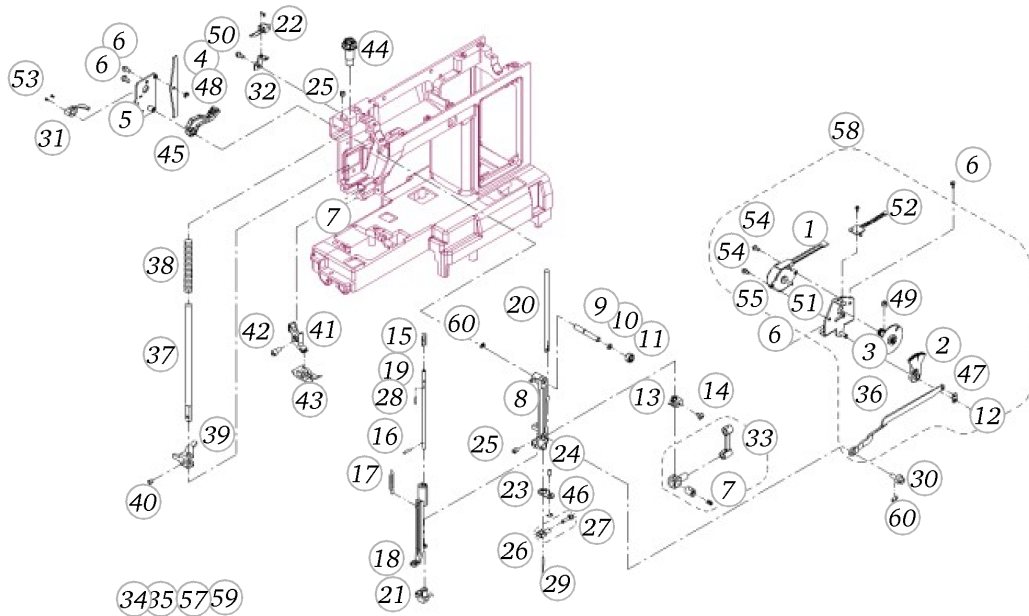
bernette Chicago 7



Needlebar with support

Pos	Item number	Description	Supplier Part no.
1	5020208719	ZIGZAG PULSE MOTOR CORD	008H3B0006
2	5020209031	ZIGZAG CRANK GEAR	H1A1533582
3	5020207821	Pulse motor gear	R1A1394000
4	H1A0063003	TENSION LEVER LIFTER	
5	H1B0173003	CLAMP PLATE	
6	5020206112	SET SCREW	004240106
7	5020206116	GRUB SCREW	004240503
8	5020209256	Needle bar support	H7A0385000
9	H7A0393000	NEEDLE BAR SUPPORTER PIN	
10	004300186	WASHER (6.2×12×0.5)	
11	V880413003	COLLAR	
12	5020209691	E-Ring (E-4)	003010046
13	5020206262	AUTO THREADER STOPPER	M70073002
14	5020206545	SCREW	004230016
15	5020206185	AUTO THREADER SHAFT SPRING	R12793003
16	M70043000	SHAFT PIN (2×6)	
17	5020206179	AUTO THREADER LEVER SPRING	M70093000
18	5020208720	AUTO THREAD LEVER	R10083000
19	H1G0153002	THREADING SHAFT	
20	5020208758	NEEDLE BAR	V70273000
21	5020205838	AUTO THREADER	E1A2125000
22	5020209234	MICRO SWITCH	008H3B0005
23	5020209149	NEEDLE BAR SUPPORTER	H7A0773003
24	5020207029	NEEDLE BAR SUPP. PIN	E1A0203003
25	5020206108	SET SCREW	004240033
26	5020206844	NEEDLE CLAMP CPL.	TA11034000
27	5020207103	NEEDLE CLAMP SET SCREW	
28	5020206098	SPRING PIN	003042014
29	006046148	NEEDLE	
29	5020208760	NEEDLE	006046148
30	E1A2433000	NEEDLE BAR DRIVING ROD PIN	
31	5020209128	MICRO SWITCH	008H1G0008
32	H1B0453003	PLATE (NO EMBROIDERY)(H30B)	
33	5020206166	NEEDLE BAR CRANK ROD CPL	F4A3335000

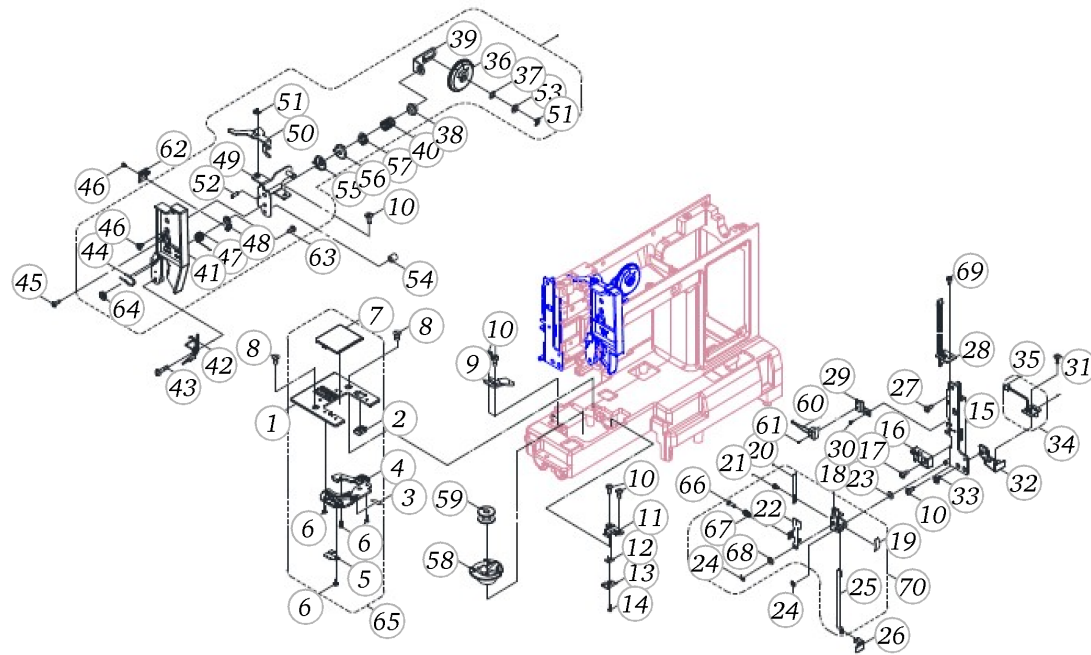
bernette Chicago 7



Needlebar with support

Pos	Item number	Description	Supplier Part no.
34	5020206166	NEEDLE BAR CRANK ROD CPL	F4A3335000
35	5020206166	NEEDLE BAR CRANK ROD CPL	F4A3335000
36	H1G0123003	NEEDLE BAR DRIVING ROD	
37	V70153002	PRESSER BAR	
38	5020206144	PRESSER BAR SPRING	E1A2493003
39	5020209916	Presser bar barcket cpl	H1B0185000
40	5020206113	SET SCREW	004240223
41	5020206904	SHANK CPL	006D1E0003
42	5020206102	SHANK CPL SET SCREW	004106221
43	5020206903	ZIG ZAG FOOT	006D1E0004
44	V620163209	PRESSER BAR REGULATING SCREW COMPLETE	
45	5020208902	PRESSER FOOT LIFT LEVER	H1B0043000
46	5020207868	E-RING ETW-4	003010043
46	5020207869	E-RING ETW-5	003010053
47	P3C0123002	NEEDLE BAR DRIVING ROD PLATE	
48	5020206095	E-RING ETW-3	003010036
49	5020209755	Set Screw (M3*3)	004230433
50	5020206110	SET SCREW	004240056
51	5020208831	ZIGZAG PULS MOTOR PLATE	H1A0163002
52	5020209213	Photo Sensor cpl	008H3B0018
53	5020209107	SET SCREW	004220112
54	5020209828	Screw(M3*0.5*4A)	0042300066
55	5020207810	MOTOR	001D5A0001
57	5020209256	Needle bar support	H7A0385000
58	5020208904	ZIG-ZAG STEP MOTOR	H1G0174000
59	5020206844	NEEDLE CLAMP CPL.	TA11034000

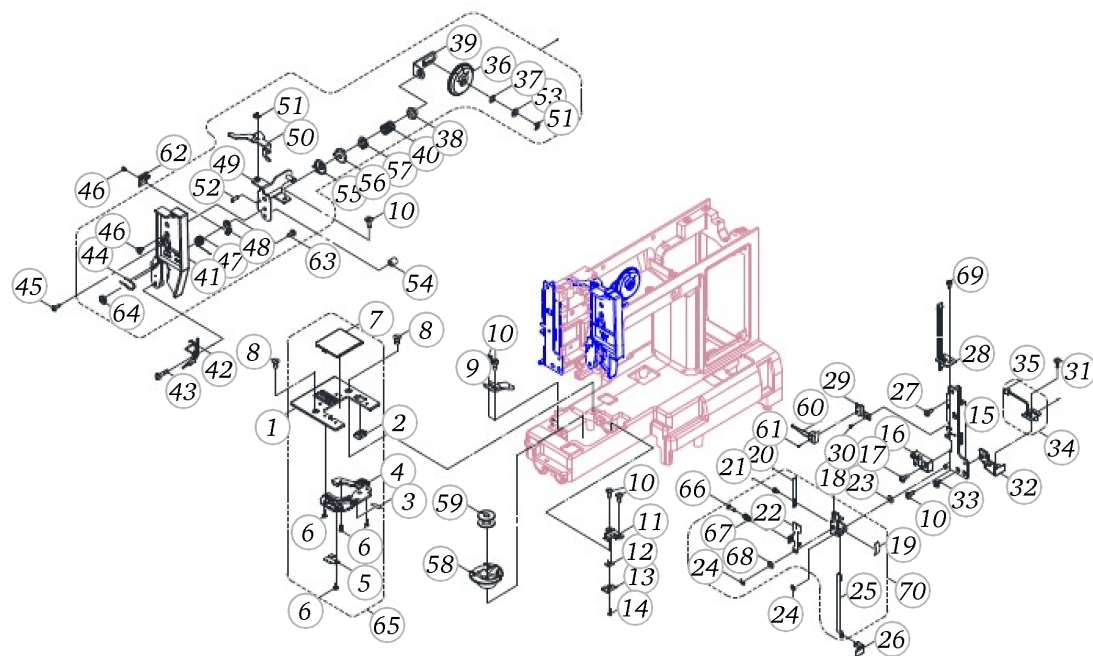
bernette Chicago 7



Stitch plate (â56290541)

Pos	Item number	Description	Supplier Part no.
4	5020209997	Stitch plate	H1G0363000
1	5020209032	NEEDLE PLATE	H1G0363004
2	5020207862	NEEDLE PLATE COVER OPEN	NB0233000
3	5020210209	Cutter	V630593000
4	H2AA013000	NEEDLE PLATE SUPPORTER	
5	5020207854	NEEDLE PLATE SPRING	E1A2603000
6	5020209504	Set Screw	0042200016
7	5020208853	NEEDLE PLATE COVER	HH3BA093031
8	5020205866	SET SCREW (M4X6)	004240851
9	5020206142	ROTARY HOOK PLATE	E1A0593002
10	5020206110	SET SCREW	004240056
11	CFA0793002	ROTARY HOOK PLATE (2)	
12	F30893000	ROTARY HOOK PLATE SPRING (2)	
13	F30883000	ROTARY HOOK PLATE SPRING (1)	
14	004220056	SET SCREW (M2x2.5) (SET OF 10)	
15	H1B0065006	BH LEVER PLATE	
16	5020209646	KI Bewegung Kurbel	P3C0203209
17	5020206545	SCREW	004230016
18	P3C0173003	BH LEVER CRANK	
19	5020209639	Bh Spring	E1A1483003
20	5020209130	BH LEVER CRANK SPRING	D3A0473000
21	5020209641	Set Screw (M3*5B)	004230056
22	P3C0193003	PHOTO PLATE	
23	5020209602	Washer (5.2*10*0.2)	004300713
24	003010033	E-Ring E-3	
25	5020209133	BH LEVER	P3C0183002
26	H1GA093209	BH LEVER BUTTON	
27	5020206112	SET SCREW	004240106
28	5020208833	PHOTOSENSOR	008CAA0010
29	H1B0093003	PLATE	
30	5020209077	SET SCREW (M3*L5*0.5)	004230702
31	5020209825	Set Screw	004230082
32	5020209270	LED HOLDER	H1A0553209
33	5020209567	Set Screw	004231016

bernette Chicago 7

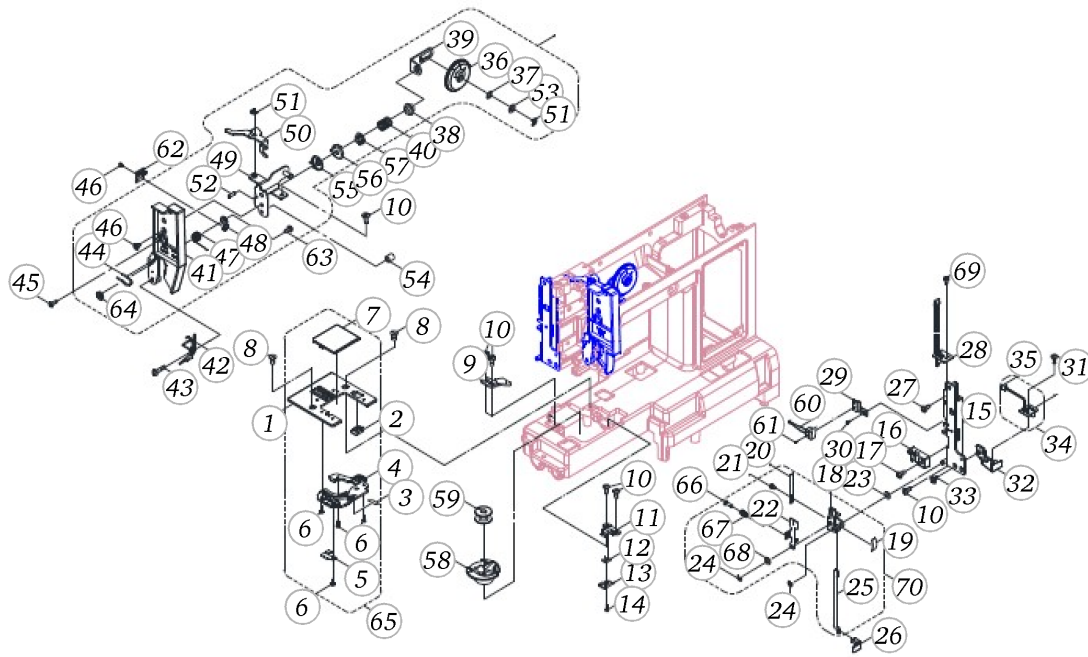


Stitch plate (<56290541)

Pos	Item number	Description	Supplier Part no.
34	5020208828	LED LAMP PLATER	008H1B0006
35	008H1A0019	LED LAMPE LINE	
36	H1GD013209	DIAL TENSION KNOB	
37	004500360	WASHER (WW-5) (SET OF 10)	
38	5020207882	DIAL TENSION REGULATOR	K50193000
39	K6B0193006	DIAL TENSION SPRING PLATE	
40	5020206209	DIAL TENSION SPRING	K50183003
41	5020209109	DIAL T.SUPP.PLATE COVER	H1G0033209
42	5020207358	THREAD GUIDE	D1E0023000
43	004240751	SET SCREW (M4*15A)	
44	5020207865	THREAD GUIDE	P3A1353001
45	5020209163	Set screw	004240146
46	5020209164	Set screw	004240176
47	5020207825	THREAD GUIDE SPRING	V60303000
48	5020209624	UPPER THREAD CRANK	H1B0443000
49	5020209244	DIAL TENSION SUPPORTER PLATE	H1G0315000
50	H1B0463003	DIAL TENSION WAFT PLATE	
51	5020207868	E-RING ETW-4	003010043
52	5020206526	PIN	003043010
53	5020209605	Washer (5.2*10*0.5)	004300643
54	5020208933	DIAL TENSION GUIDE SPRING TUB	H11103001
55	5020209245	Dial tension disc 1	H1G0323001
56	5020209243	Tension bracket	H1G0333001
57	5020206208	DIAL TENSION REGULATOR	R10593000
58	5020208722	BOBBIN CASE	Q6A0764000
59	5020208184	BOBBIN 1 PC. UNPACKED	006H1B0004
59	5020209311	BOBBINS 10 PCS. PACKED	U2-FS3-069
60	008H3B0021	MICRO SWITCH	
61	5020209107	SET SCREW	004220112
62	5020209033	PHOTO SENSOR PLATE	008H3B0002
63	5020209704	Screw M3*0.5 L=12	004230776
64	5020209626	Nut (M3)T=2.3	004830016
65	5020208721	NEEDLE PLATE	H3BA094000
66	5020209644	Set Screw	004230596

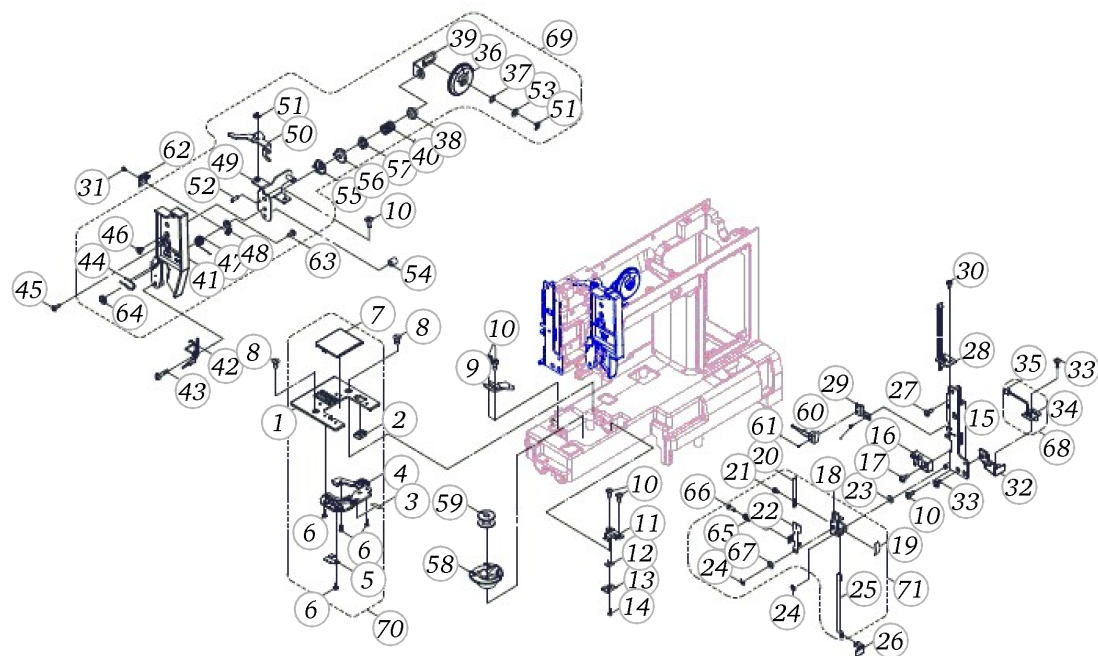
bernette Chicago 7

Stitch plate (â56290541)



Pos	Item number	Description	Supplier Part no.
67	5020209643	PULSE SUPPORT SPRING	D3B1293003
68	5020209645	Washer (4*8*0.5)	004300096
69	5020209828	Screw(M3*0.5*4A)	0042300066
70	H7A0424000	BH LEVER CRANK COMPLETE	

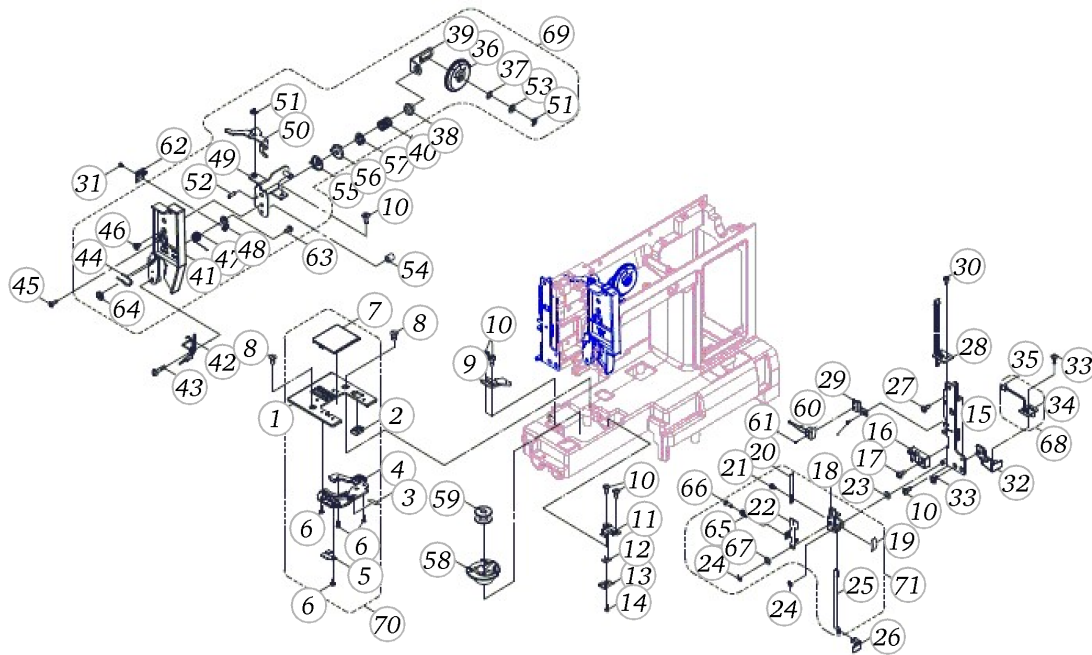
bernette Chicago 7



Stitch plate (>=56290601)

Pos	Item number	Description	Supplier Part no.
4	5020209997	Stitch plate	H1G0363000
1	5020209032	NEEDLE PLATE	H1G0363004
2	5020207862	NEEDLE PLATE COVER OPEN	NB0233000
3	5020210209	Cutter	V630593000
4	H2AA013000	NEEDLE PLATE SUPPORTER	
5	5020207854	NEEDLE PLATE SPRING	E1A2603000
6	5020209504	Set Screw	0042200016
7	5020208853	NEEDLE PLATE COVER	HH3BA093031
8	5020205866	SET SCREW (M4X6)	004240851
9	5020206142	ROTARY HOOK PLATE	E1A0593002
10	5020206110	SET SCREW	004240056
11	CFA0793002	ROTARY HOOK PLATE (2)	
12	F30893000	ROTARY HOOK PLATE SPRING (2)	
13	F30883000	ROTARY HOOK PLATE SPRING (1)	
14	004220056	SET SCREW (M2x2.5) (SET OF 10)	
15	H1B0065006	BH LEVER PLATE	
16	5020209646	KI Bewegung Kurbel	P3C0203209
17	5020206545	SCREW	004230016
18	5020209638	Bh Lever Crank Complete	H7A0425000
19	5020209639	Bh Spring	E1A1483003
20	5020209640	BH LEVER CRANK SPRING	CFA1053000
21	5020209641	Set Screw (M3*5B)	004230056
22	P3C0193003	PHOTO PLATE	
23	5020209602	Washer (5.2*10*0.2)	004300713
24	5020206095	E-RING ETW-3	003010036
25	5020209133	BH LEVER	P3C0183002
26	H1GA093209	BH LEVER BUTTON	
27	5020206112	SET SCREW	004240106
28	5020208833	PHOTOSENSOR	008CAA0010
29	H1B0093003	PLATE	
30	5020209077	SET SCREW (M3*L5*0.5)	004230702
31	5020209825	Set Screw	004230082
32	H7BZ203210	LED HOLDER	
33	5020209567	Set Screw	004231016

bernette Chicago 7

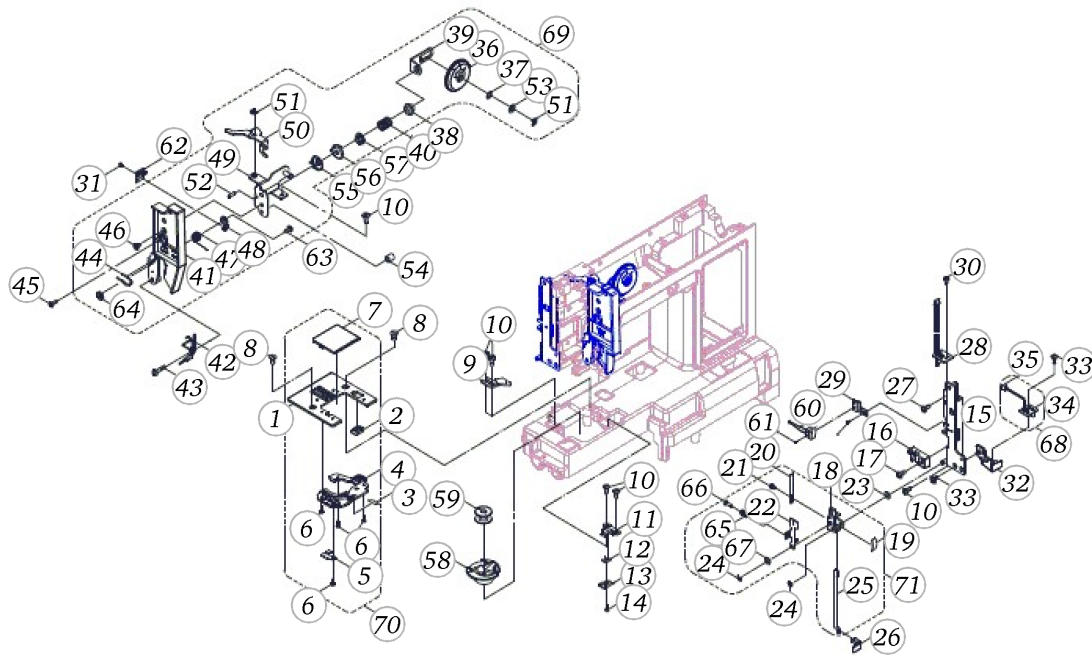


Stitch plate (>=56290601)

Pos	Item number	Description	Supplier Part no.
34	008H7B0009	LED LIGHT LAMP	
35	008H1A0019	LED LAMPE LINE	
36	H1GD013209	DIAL TENSION KNOB	
37	004500360	WASHER (WW-5) (SET OF 10)	
38	5020207882	DIAL TENSION REGULATOR	K50193000
39	K6B0193006	DIAL TENSION SPRING PLATE	
40	5020206209	DIAL TENSION SPRING	K50183003
41	5020209109	DIAL T.SUPP.PLATE COVER	H1G0033209
42	5020207358	THREAD GUIDE	D1E0023000
43	004240751	SET SCREW (M4*15A)	
44	5020207865	THREAD GUIDE	P3A1353001
45	5020209163	Set screw	004240146
46	5020209164	Set screw	004240176
47	5020207825	THREAD GUIDE SPRING	V60303000
48	5020209624	UPPER THREAD CRANK	H1B0443000
49	5020209244	DIAL TENSION SUPPORTER PLATE	H1G0315000
50	H1B0463003	DIAL TENSION WAFT PLATE	
51	5020207868	E-RING ETW-4	003010043
52	5020206526	PIN	003043010
53	5020209605	Washer (5.2*10*0.5)	004300643
54	5020208933	DIAL TENSION GUIDE SPRING TUB	H11103001
55	5020209245	Dial tension disc 1	H1G0323001
56	5020209243	Tension bracket	H1G0333001
57	5020206208	DIAL TENSION REGULATOR	R10593000
58	5020208722	BOBBIN CASE	Q6A0764000
59	5020208184	BOBBIN 1 PC. UNPACKED	006H1B0004
59	5020209311	BOBBINS 10 PCS. PACKED	U2-FS3-069
60	008H3B0021	MICRO SWITCH	
61	5020209107	SET SCREW	004220112
62	5020209033	PHOTO SENSOR PLATE	008H3B0002
63	5020209704	Screw M3*0.5 L=12	004230776
64	5020209626	Nut (M3)T=2.3	004830016
65	5020209643	PULSE SUPPORT SPRING	D3B1293003
66	5020209644	Set Screw	004230596

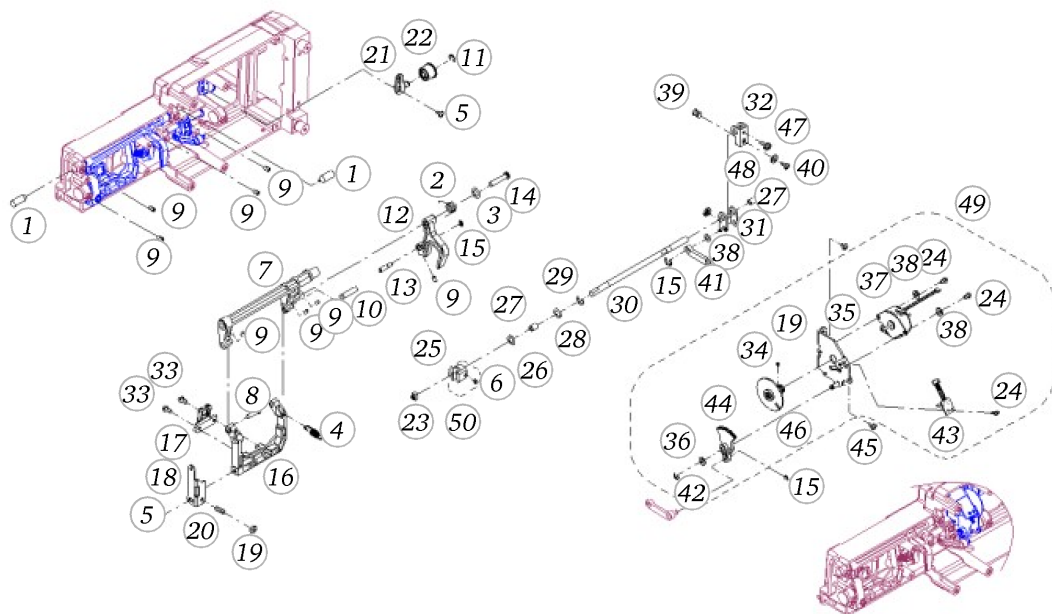
bernette Chicago 7

Stitch plate (>=56290601)



Pos	Item number	Description	Supplier Part no.
67	5020209645	Washer (4*8*0.5)	004300096
68	5020209211	LED LAMP COMPLETE	008H2H0003
69	H1GD014209	DIAL TENSION SUPPORTER PLATE COVER	
70	5020208721	NEEDLE PLATE	H3BA094000
71	H7A0424000	BH LEVER CRANK COMPLETE	

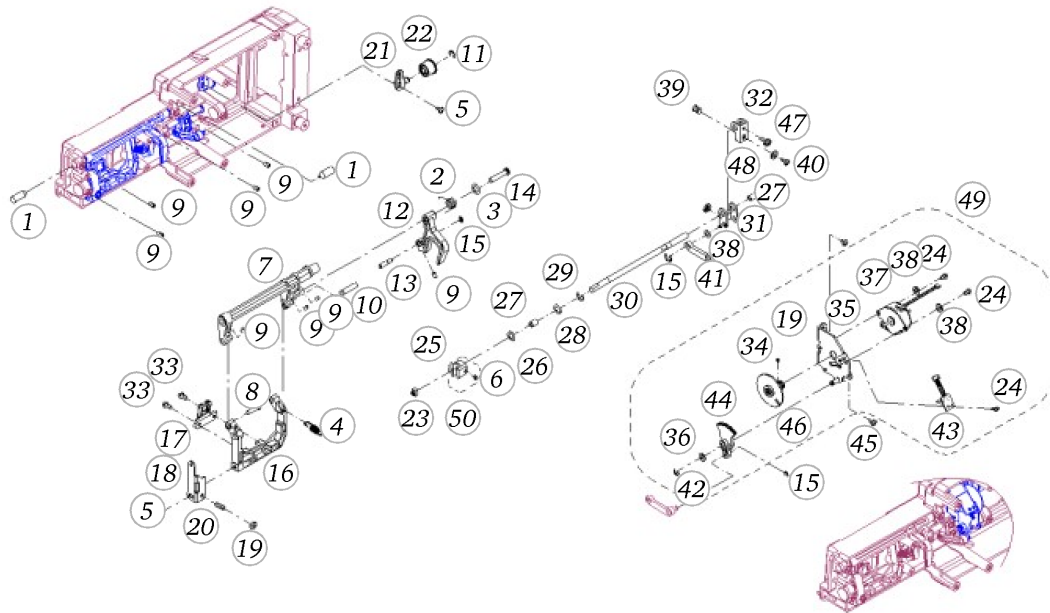
bernette Chicago 7



Feed dog unit

Pos	Item number	Description	Supplier Part no.
1	P3A0613000	FEED CRANK SHAFT	
2	P3A0933003	FEED ROCK CRANK SPRING	
3	004300733	WASHER (5.2×12×1)	
4	P3A0603003	FEED DOG SPRING	
5	5020206112	SET SCREW	004240106
6	5020206116	GRUB SCREW	004240503
7	P3A0513000	FEED ROCK SHAFT	
8	5020209671	Feed Dog Shaft	P3A0533003
9	5020206113	SET SCREW	004240223
10	E1A0403000	FEED ROCK FRAME SHAFT (2)	
11	5020207868	E-RING ETW-4	003010043
12	5020208752	FEED ROCK CRANK	P3A0573000
13	P3A0593000	REGULATING BLOCK SHAFT	
14	5020209666	FEED ROCK SHAFT	P3A0583003
15	5020206095	E-RING ETW-3	003010036
16	H1B0123000	FEED DOG SUPPORTER	
17	5020207885	FEED DOG	H1A0363000
18	5020209197	FEED LIFTING ROCK CRANK	H1B0135002
19	5020206127	NUT	004840106
20	5020209673	Screw	004241093
21	H1A0433003	BELT ADJUSTING PLATE	
22	5020208861	BELT ADJUSTING PULLEY	H1A0453000
23	5020207855	FEED REGULATING BLOCK	F31403000
24	5020209077	SET SCREW (M3*L5*0.5)	004230702
25	5020208935	FEED REGULATING	F31393000
26	5020209693	Washer(6.7*11.8*0.5)	004400570
27	R11443000	FEED ROCK BUSHING	
28	004300123	WASHER (6.7×12×1□(SET OF 10)	
29	003011052	E-RING□ETW-5□(SET OF 10)	
30	H1A0203000	FEED REGULATING SHAFT	
31	D3A0273003	FEED REGULATING CRANK	
32	CAA1733000	FEED CRANK	
33	5020209678	Set Screw (M3.5*8A)	004235016
34	5020209755	Set Screw (M3*3)	004230433

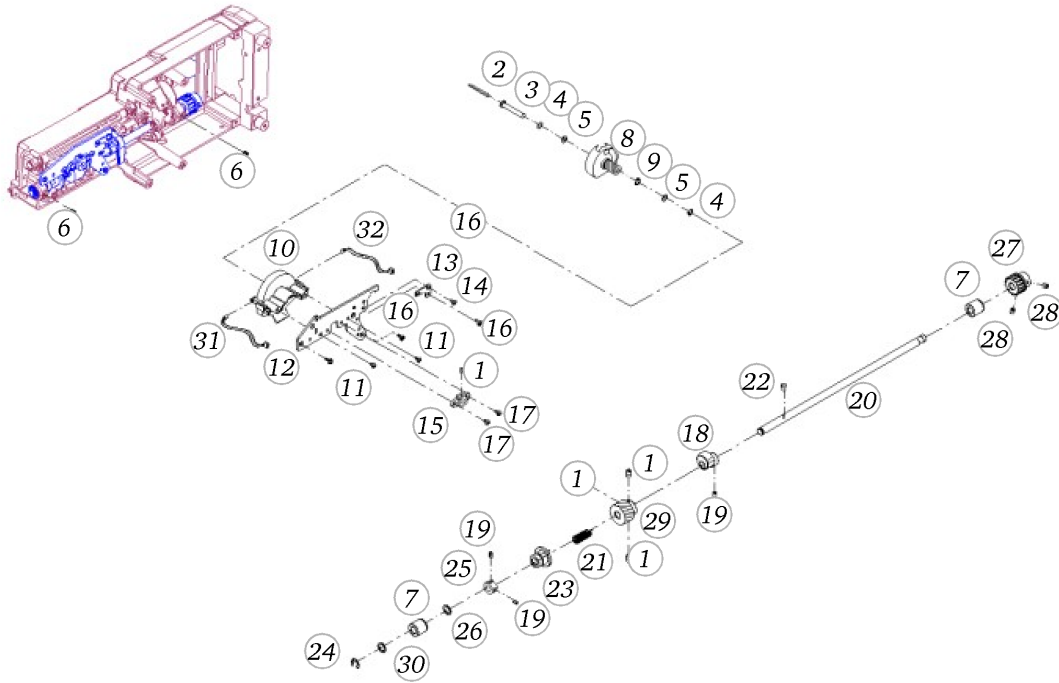
bernette Chicago 7



Feed dog unit

Pos	Item number	Description	Supplier Part no.
35	5020208835	PULSE SUPPORT PLATE	H5A0143002
36	5020209605	Washer (5.2*10*0.5)	004300643
37	5020208090	PULSE MOTOR	008D8A0006
38	5020206528	WASHER	004300136
39	D3A0293003	FEED REGULATING CRANK SPRING	
40	0042400062	SET SCREW (M4*17L)	
41	5020209691	E-Ring (E-4)	003010046
42	5020209691	E-Ring (E-4)	003010046
43	D3A0943000	FEED ROCK ROD	
44	P3C0243000	FEED ROCK CRANK GEAR	
45	0042300062	SET SCREW □M3*4A □	
46	5020207821	Pulse motor gear	R1A1394000
47	5020209704	Screw M3*0.5 L=12	004230776
48	004300986	WASHER (4.2*10*0.5)	
49	5020208953	PULSE SUPPORT PLATE CPL.	H1G0414000
50	5020207853	FEED REGULATING CPL	D3A1674000

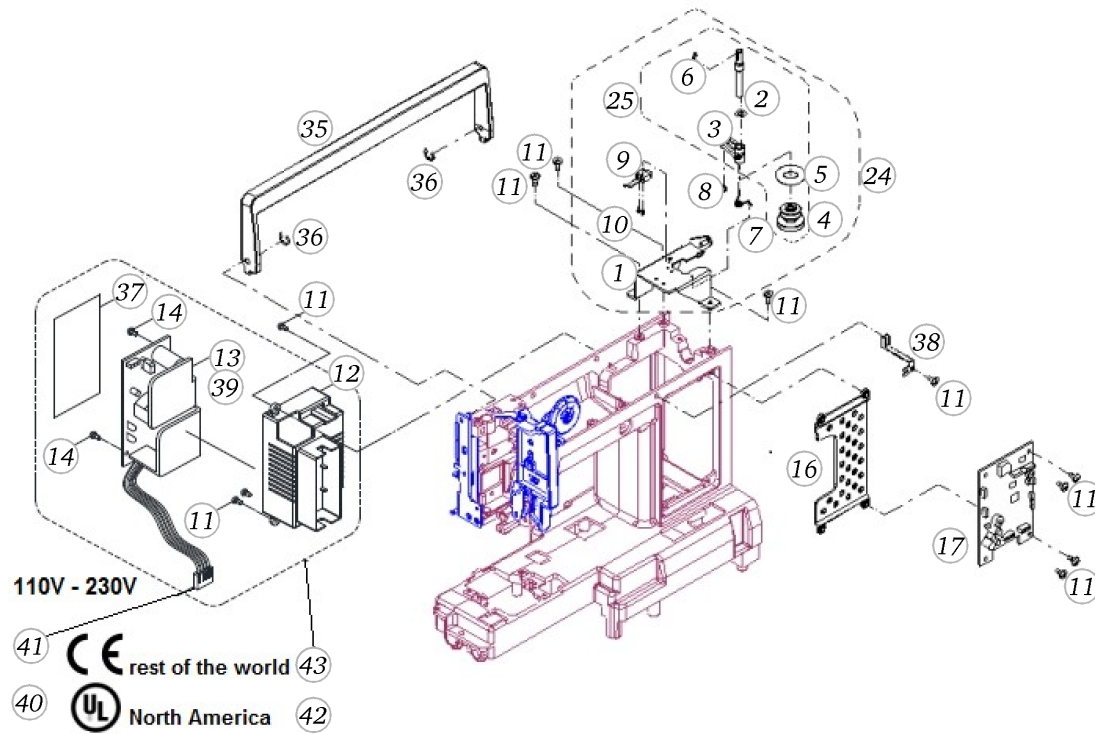
bernette Chicago 7



Rotary hook plate

Pos	Item number	Description	Supplier Part no.
1	5020206108	SET SCREW	004240033
2	5020206183	BOBBIN SHAFT OIL CLOTH	NB0693000
3	5020206143	BOBBIN SHAFT	E1A2033000
4	5020206182	BOBBIN SHAFT WASHER	NB0673000
5	5020206122	ENDURE ATTRITION WASHER	004400840
6	5020206113	SET SCREW	004240223
7	5020207024	LOWER SHAFT BUSHING	E1A0283000
8	5020208723	SHUTTLE HOOK HOLDER	Q6A0704000
9	5020206272	BOBBIN SHAFT WASHER	NB0683000
10	H1B0113582	SHUTTLE HOOK COVER	
11	5020209805	Set Screw (M3*12)	004230066
12	H1B0103006	ROTARY HOOK HOLDER	
13	P3A0493003	ROTRARY HOOK HOLDER POSITIONED PLATE	
14	5020206110	SET SCREW	004240056
15	5020206276	ROTARY HOOK SUPPORTER	E1A0543000
16	5020208929	SET SCREW (M4*8) (SET OF 10)	004240586
17	5020206112	SET SCREW	004240106
18	5020208753	FEED ROCK CAM	H1A1503000
19	5020206116	GRUB SCREW	004240503
20	H1A0133000	LOWER SHAFT	
21	5020207863	LOWER SHAFT SPRING	P3A0443003
22	5020209381	FEED LIFTING ROCK CAM PIN	P3A0433003
23	5020208754	FEED LIFTING ROCK CAM	P3A0423000
24	5020206549	E-RING ETW-6	003010063
25	V11553003	LOWER SHAFT COLLAR	
26	5020209734	ENDURE ATTRITION WASHER	004400830
27	H1A0463000	LOWER SHAFT BELT PULLEY	
28	5020206117	SET SCREW	004250203
29	5020207805	LOWER SHAFT GEAR	P3A1133000
30	5020209683	Washer (8.2*12*0.5)	004300936
31	5020208899	LEFT LOWER THREAD SENSOR	008H3B0003
32	5020208901	RIGHT LOWER THREAD SENSOR	008H3B0004

bernette Chicago 7

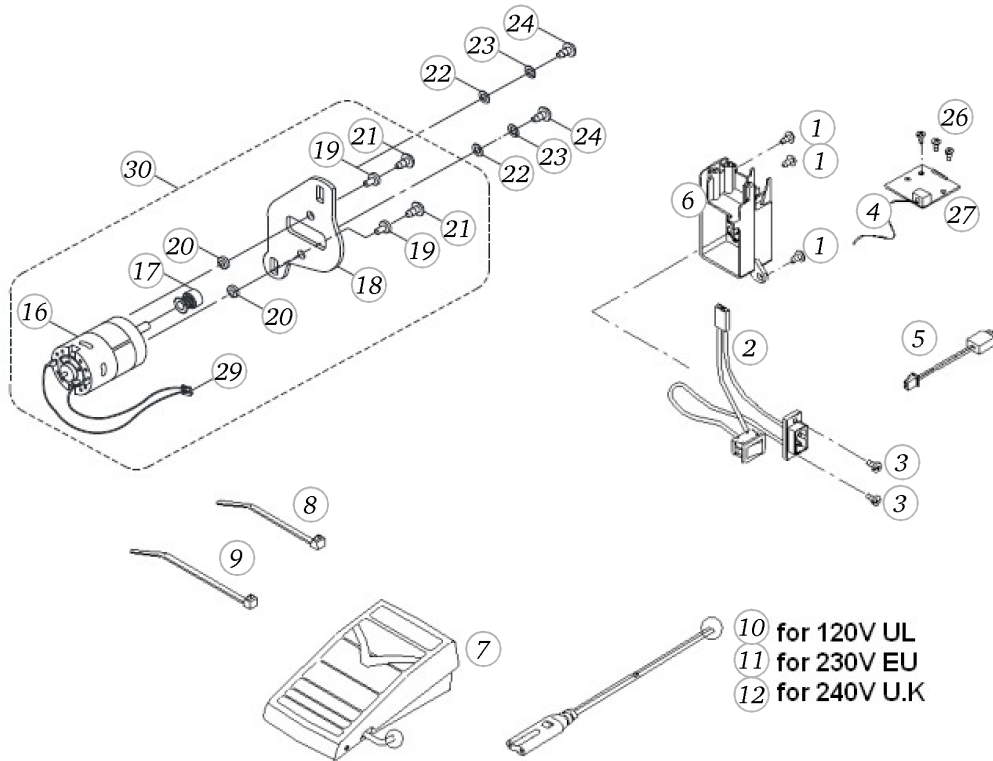


Main PCB

Pos	Item number	Description	Supplier Part no.
1	H1B0085006	BOBBIN WINDER PLATE	
2	H1B0423001	BOBBIN WINDER CRANK	
3	H1B0403000	BOBBIN WINDER CRANK	
4	D5A0633000	BOBBIN WINDER PULLEY	
5	5020206163	BOBBIN WINDER RUBBER PULLEY	F20213000
6	5020207178	SPRING	F20193000
7	5020209631	BOBBIN WINDER CRANK SPRING	H1D0723003
8	5020207869	E-RING ETW-5	003010053
9	5020208837	MICRO SWITCH	008H3B0026
10	5020209107	SET SCREW	004220112
11	5020206112	SET SCREW	004240106
12	H1A0533000	HF TRANSFORMER BOX	
13	5020208838	HF TRANSFORMER	008H1G1001
13	5020209943	HF TRANSFORMER	008H1G0014
14	5020209419	Screw M3*8.5	004230216
16	5020209761	FRAME OF MAIN CIRCUIT BOARD	H3B0063209
17	5020209994	Main circuit board	008H1G0001-01
17	5020210356	Main Circuit Board	008H1G0001-02
24	5020209174	Bobbin winder cpl	H1B0084000
25	5020208836	BOBBIN WINDER CRANK CPL	H1B0425000
35	5020208903	HANDLE	H1B0333209
36	003010032	E-RING □E-3□	
37	008H3B0039	SMPS INSULATING SLICE	
38	002589023	ELECTRIC WIRE PRESS BOARD	
39	008H1G4001	HF TRANSFORMER (120V)	
40	008H1A0081	HF TRANSFORMER WIRE (for 120V)	
40	5020209946	HF Transformator Kabel 120V	008H1A0081
41	5020209747	Hf Transformer Wire 230V	008H1A0082
42	5020210316	HF Transformator 100 - 120V	H1B0564000
43	5020209948	HF Transformer 220 - 240V	H1G0194000

bernette Chicago 7

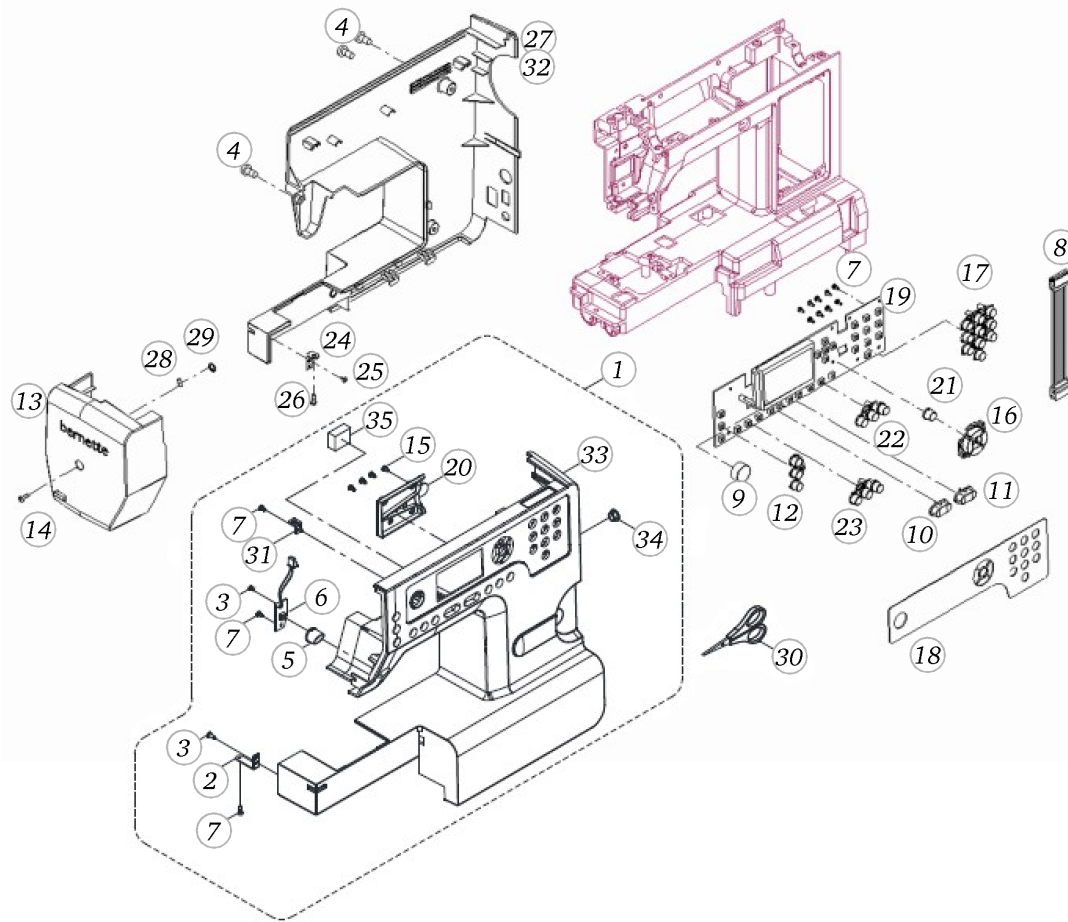
28



Main motor

Pos	Item number	Description	Supplier Part no.
1	5020206112	SET SCREW	004240106
2	5020207845	SWITCH RECEPTABLE ASSY	008H1A0028
3	5020206488	SCREW M3X12B	004230326
4	008H3B0030	LED LAMP LINE	
5	5020209035	CONTROLLER RECEPTACLE CPL.	008H7A0046
6	H3B0733209	RECEPTACLE HOLDER	
7	5020208726	FOOT CONTROLLER	002H7A0001
8	002030129	CORD CLIP (L=12)	
9	5020206505	CORD CLIP	002549129
10	008CAA0045	POWER CORD (FOR 120V) UL	
11	5020207151	SUPPLY CORD 230V (EU)	002542118
12	5020207346	SUPPLY CORD 230V (UK)	002543318
16	5020209150	MOTOR	001CAA0002
17	5020209150	MOTOR	001CAA0002
18	H1A0303006	MOTOR BRACKET	
19	5020209757	Insulation Bushing	P3C0443000
20	5020209758	INSULATION SPACER	P3C0453000
21	5020209759	Face Plate Set Screw (M3*10)	004230536
22	004300306	WASHER 5.4×10×0.9	
23	004600296	SPRING WASHER (5.1×9.2×1.3) (SET OF 10)	
24	5020206498	SCREW M5*12	004250086
26	5020209825	Set Screw	004230082
27	5020208750	BOARD	008H1G0006
28	008H1A0079	DC MOTOR COMPLETE WIRE (for 120V)	
29	5020209279	DC MOTOR LEAD CORD	008H1A0080
30	5020209219	DC MOTOR	001H1A0002

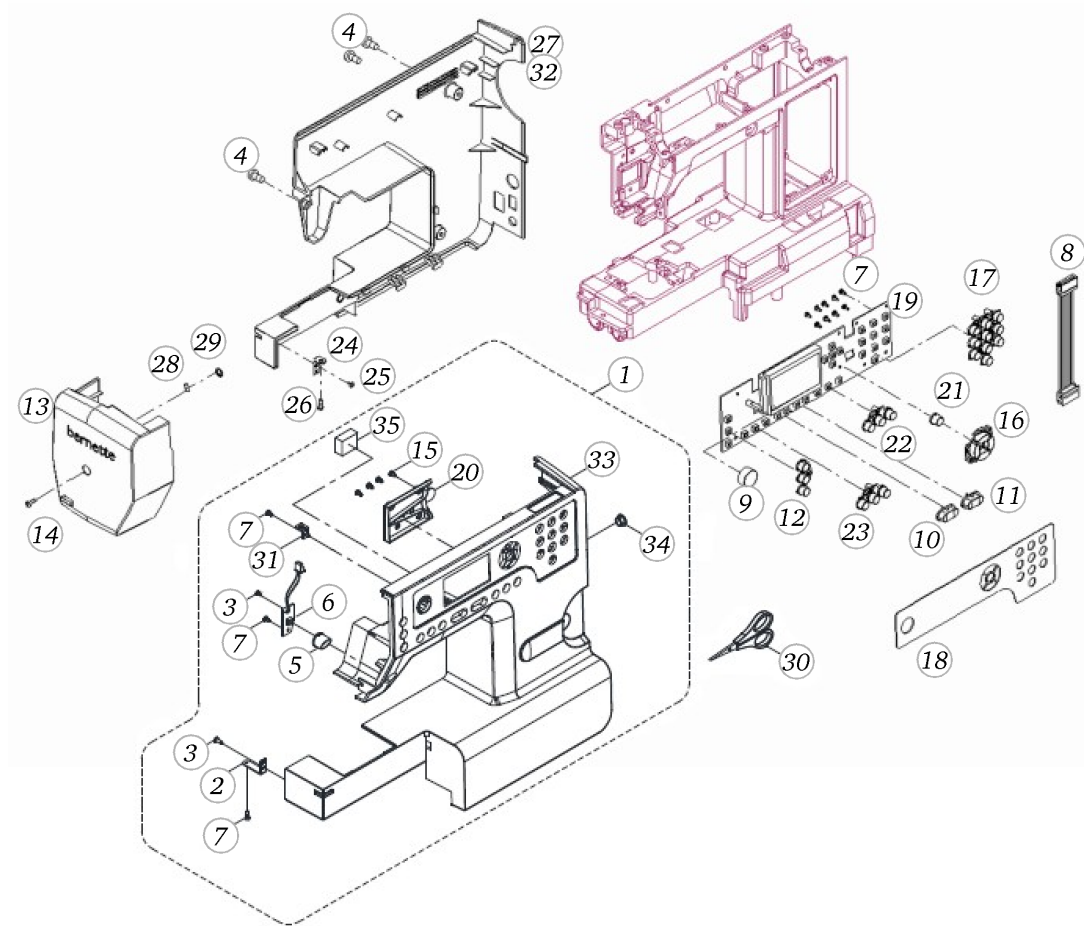
bernette Chicago 7



Covers

Pos	Item number	Description	Supplier Part no.
1	5020208736	FRONT DEC.PLATE CHICAGO 7	H1GC015209
2	E1A1623002	ARM FRONT COVER SET PLATE	
3	004230126	SET SCREW □M3×8B□	
4	5020206112	SET SCREW	004240106
5	5020208842	START/STOP PUSH BUTTON	H1GN093209
6	5020208843	KEY PLATE CPL	008H3B0009
7	5020209419	Screw M3*8.5	004230216
8	5020207971	ROW LINE	008S1A0040
9	H1GD023086	SPEED LIMITING ADJUSTMENT DIAL	
10	H1GN063209	STITCH LENGTH ADJUSTMENT BUTTON	
11	H1GN073209	STITCH WIDTH ADJUSTMENT BUTTON	
12	H1GN043209	NEEDLE POSITION KNOB/REVERSE BUTTON	
13	5020208839	FACE COVER CPL	H1GF014209
14	004241061	SET SCREW (M4×12)	
15	5020209805	Set Screw (M3*12)	004230066
16	H1GN013086	ARROW BUTTONS	
17	H1GN033086	NUMERAL KNOB	
18	5020208894	FRONT COVER COMPLETE	H1GP013031
19	5020208841	LCD MAIN CIRCUIT BOARD	008H1G0002
20	H1G0103000	SCISSOR COVER	
21	H1GN023086	ENTER BUTTON	
22	H1GN083209	FUNCTION SELECT BUTTON	
23	H1GN053209	FUNCTION SELECT BUTTON	
24	E1A1673002	ARM BACK COVER SET PLATE	
25	5020209390	Slide Volume Cover Screw	004230086
26	5020206110	SET SCREW	004240056
27	H1G0253209	BACK COVER (FOR USA)	
28	5020210209	Cutter	V630593000
29	5020208142	CS RING	003020053
30	5020208820	SCISSORS	006H1G0004
31	H1G0113002	FRONT COVER SET PLAT	
32	5020208840	BACK COVER CPL	H1G0264209
33	H1GC013209	FRONT COVER	

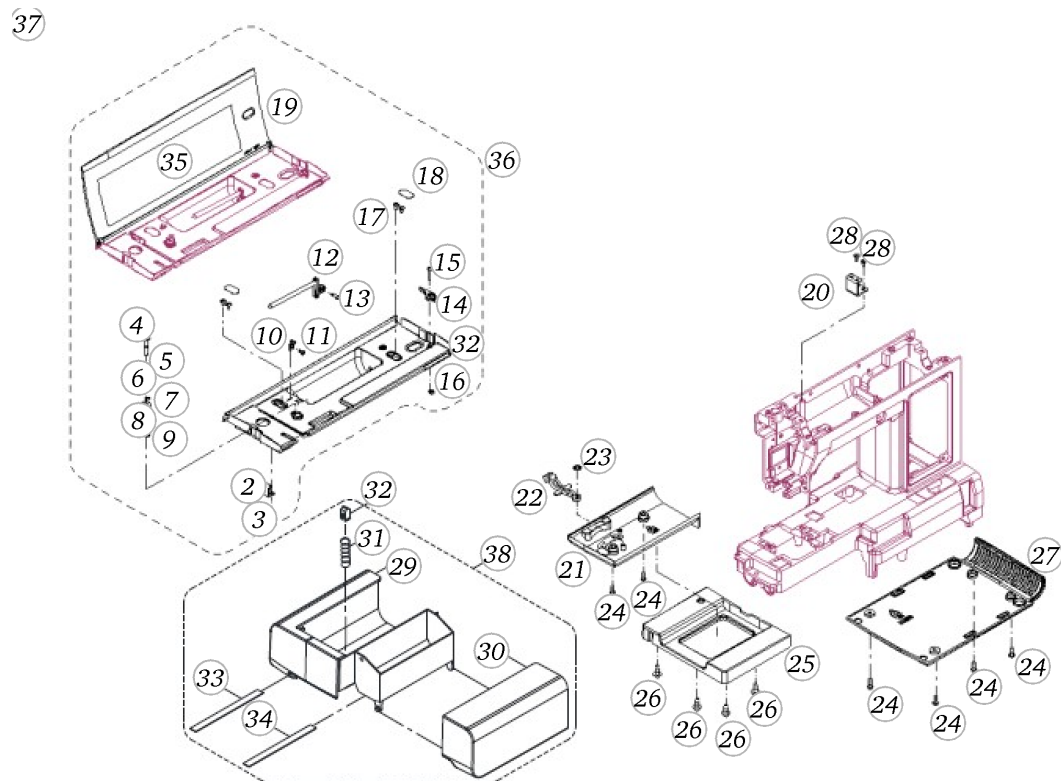
bernette Chicago 7



Covers

Pos	Item number	Description	Supplier Part no.
34	E9R0803209	CAP	
35	025H1A0011	FOAM	

bernette Chicago 7

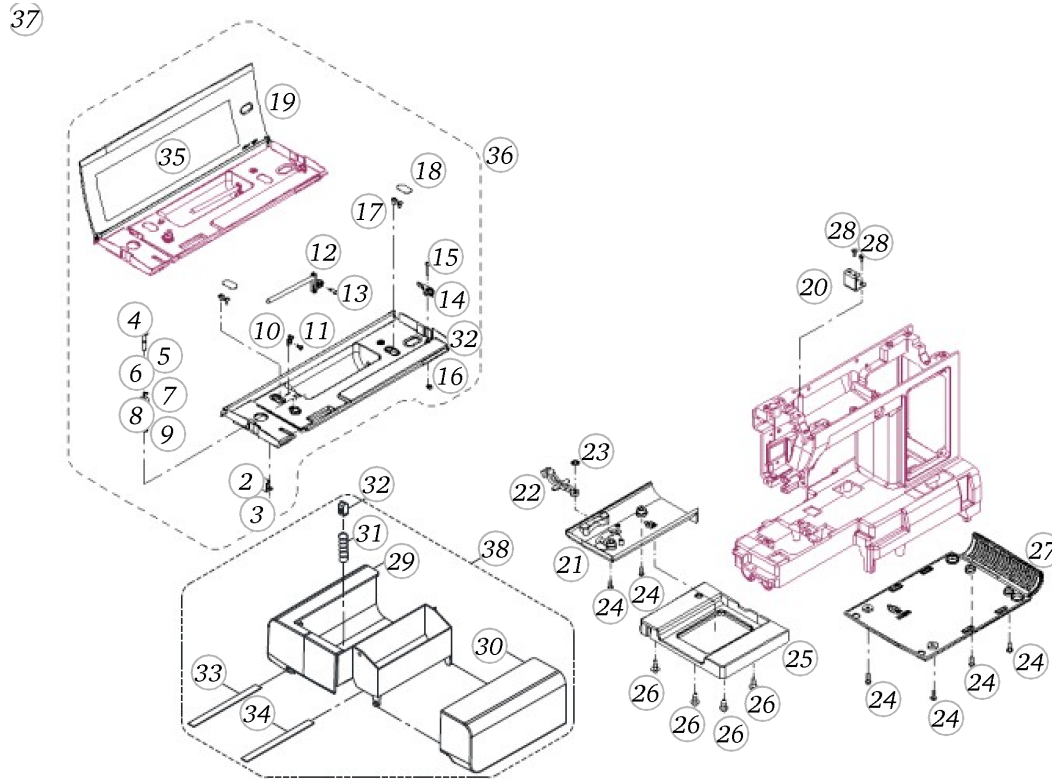


Sewing table

Pos	Item number	Description	Supplier Part no.
2	5020209217	Thread guide cpl	H1G0345000
3	5020209825	Set Screw	004230082
4	V610213001	BOBBIN WINDER THREAD GUIDE ADJUSTING	
5	H13153001	BOBBING WINDER THREAD GUIDE SPRING	
6	H13133001	BOBBING WINDER SPRING DISC	
7	V610223001	BOBBIN WINDER THREAD GUIDE	
8	V610233006	SPACER	
9	5020206095	E-RING ETW-3	003010036
10	5020209437	THREAD GUIDE	H1B0603001
11	5020206055	SCREW	004230842
12	5020209064	SPOOL PIN BASE	V610443209
13	004230336	SET SCREW □M3×6B □	
14	5020208018	BOBBIN WINDER STOPPER	H1B0433000
15	5020206101	SET SCREW	004106162
16	5020206124	NUT	004706013
17	5020206545	SCREW	004230016
18	5020209277	PLATE	K6C0243209
19	5020208916	TOP COVER	H1B0323209
20	H1B0033006	ARM TOP FIXED PLATE	
21	5020208925	FFREE ARM BASE	H1GA023209
22	5020209154	TOOTH LEVER ARM	H3B0703000
23	5020208142	CS RING	003020053
24	004240136	SET SCREW (M4×12) (SET OF 10)	
25	5020208922	FREE ARM FOOT BASE	H1B0303209
26	5020209647	Screw	004230816
27	5020208924	CORD REE COVER	H1B0293209
28	5020206112	SET SCREW	004240106
29	5020208923	SEWING TABLE BODY CPL.	H1B0274209
30	5020208923	SEWING TABLE BODY CPL.	H1B0274209
31	5020209122	SEWING TABLE BODY GUIDE SRPING	H10143003
32	5020206479	SEW. TABLE B.GUIDE	H10133211
33	D6B0773000	SEWING TABLE BODY FELT	
34	5020208033	SEWING TABLE BODY FELT	D5A0483000

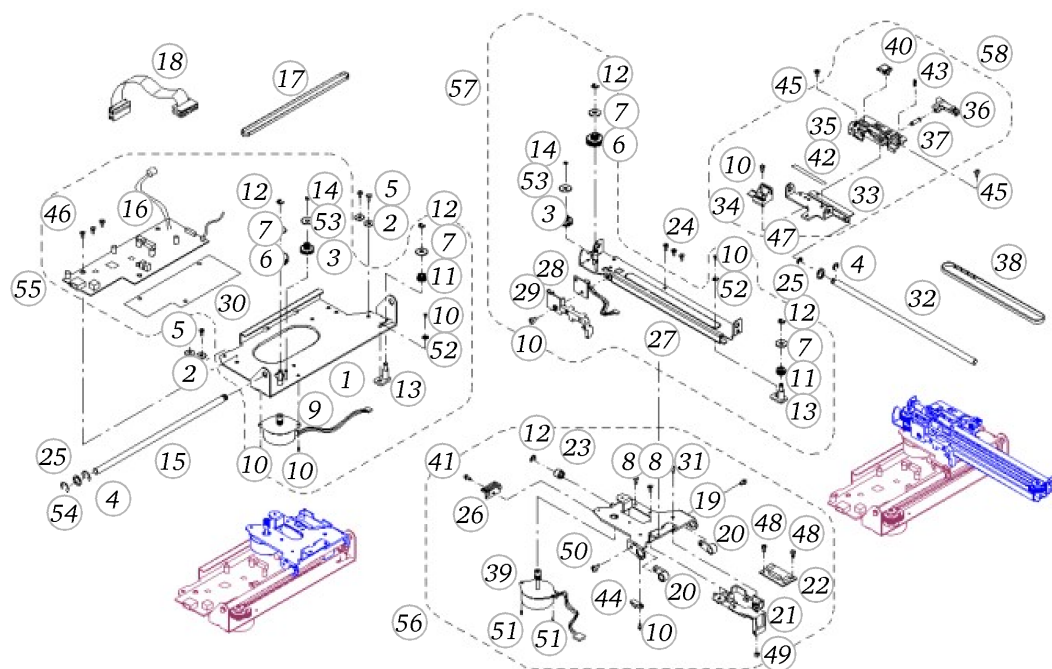
bernette Chicago 7

Sewing table



Pos	Item number	Description	Supplier Part no.
35	5020208979	STICKER	028H1G0001
36	5020208845	ARM TOP PLATE CPL	H1GA014209
37	5020208764	TOOTH LEVER ARM	
37	5020209154	TOOTH LEVER ARM	H3B0703000
38	5020208923	SEWING TABLE BODY CPL.	H1B0274209

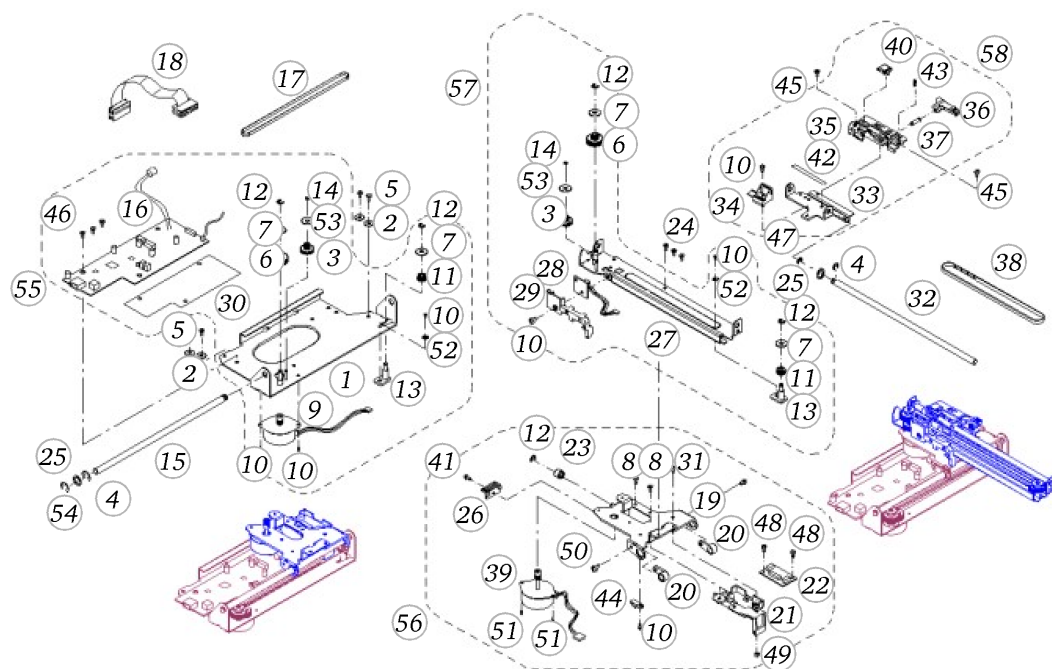
bernette Chicago 7



Embroidery adapter

Pos	Item number	Description	Supplier Part no.
1	H3B0145000	MACHINERY BOTTOM PLATE	
2	004300032	WASHER (4.2*14*1)	
3	5020208950	TEETH GEAR B	H3B0333000
4	5020206549	E-RING ETW-6	003010063
5	5020206114	Screw	004240306
6	H3B0343000	42 TEETH GEAR	
7	H3B0283000	BELT WASHER	
8	5020209419	Screw M3*8.5	004230216
9	5020208846	PULSE MOTOR CPL	001H3B0005
10	5020209077	SET SCREW (M3*L5*0.5)	004230702
11	H3B0353000	IDLER PULLEY	
12	5020207868	E-RING ETW-4	003010043
13	H3B0195000	IDLER PULLEY ADJUSTMENT COMPLETE	
14	003010026	E-RING (E-2)	
15	H3B0183002	X AXIAL MAIN SHAFT	
16	5020208728	CONTROLLING BOARD	008H1G0009
16	5020210357	CONTROLLING BOARD	008H1G0009-01
17	5020209078	X AXIAL DRIVE BELT	007430S2M4
18	5020208765	ROW LINE	008H1G0004
19	H3B0205000	XY AXIAL JOINT PLATE	
20	H3B0273000	X AXIAL BUSHING	
21	H3B0293582	WIRING TRANSFER PLATE	
22	5020209079	TRANSFER BOARD H10GX	008H1G0005
23	H3B0233000	X AXIAL SLIDE PULLEY	
24	5020209647	Screw	004230816
25	5020209683	Washer (8.2*12*0.5)	004300936
26	H3B0223000	X AXIAL SLIDE SUPPORTER	
27	H3B0245000	Y AXIAL SUPPORTER	
28	5020208848	Z.Z. PHOTOSENSOR PLATE	008H3B0014
29	H3B0313209	WIRING GUARD PLATE	
30	H3B0603031	INSULATION SPACER	
31	5020206112	SET SCREW	004240106
32	H3B0253002	Y AXIAL MAIN SHAFT	
33	H3B0263002	Y AXIAL SLIDE PLATE	

bernette Chicago 7

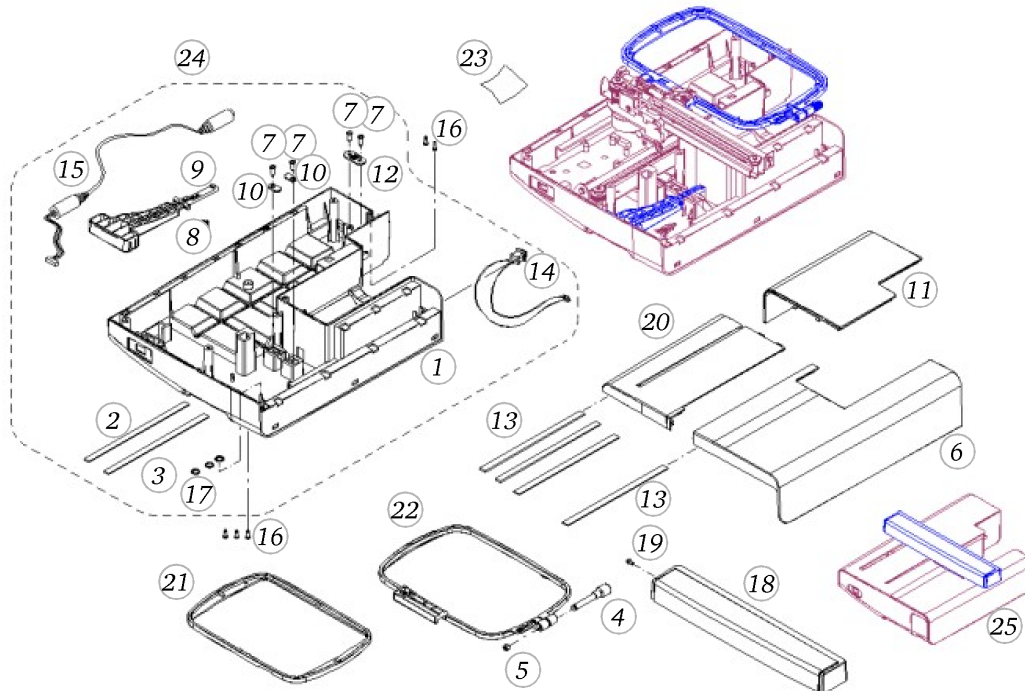


Embroidery adapter

Pos	Item number	Description	Supplier Part no.
34	H3B0303582	BELT JOINT PLATE	
35	H3B0453000	FRAME SUPPORTER	
36	5020209080	FIXING SPRING	H3B0463000
37	H3B0483002	FRAME FIXED POSITION SHAFT	
38	5020209066	Y AXIAL DRIVE BELT	007520S2M4
39	5020208847	PULSE MOTOR CPL	001H3B0006
40	H3B0443209	MAIN COVER	
41	004230286	SET SCREW □M3×8B □	
42	H3B0613000	Y AXIAL SLIDE SPRING	
43	5020208891	SPRING	H3B0533003
44	H3B0543000	ELECTRIC WIRE PRESS BOARD	
45	004240676	SET SCREW (M4×5 B)	
46	004240136	SET SCREW (M4×12) (SET OF 10)	
47	003080052	E-RING □BETW-5 □(SET OF 10)	
48	0042300026	SET SCREW □M3×6 □	
49	5020206126	NUT	004840022
50	5020206110	SET SCREW	004240056
51	0042300062	SET SCREW □M3×4A □	
52	004300676	WASHER (3.2×8×0.8)	
53	5020209795	Washer(?3.2*?6*0.5)	004301068
54	0030800013	E-RING (E-7)	
55	5020208954	MACHINERY BOTTOM PLATE C	H4B0094000
56	5020208905	XY AXIAL JOINT BOARD CPL	H1G0224000
57	5020208909	EMB ARM	H3B0244000
58	5020208889	SLIDE	H3B0264000

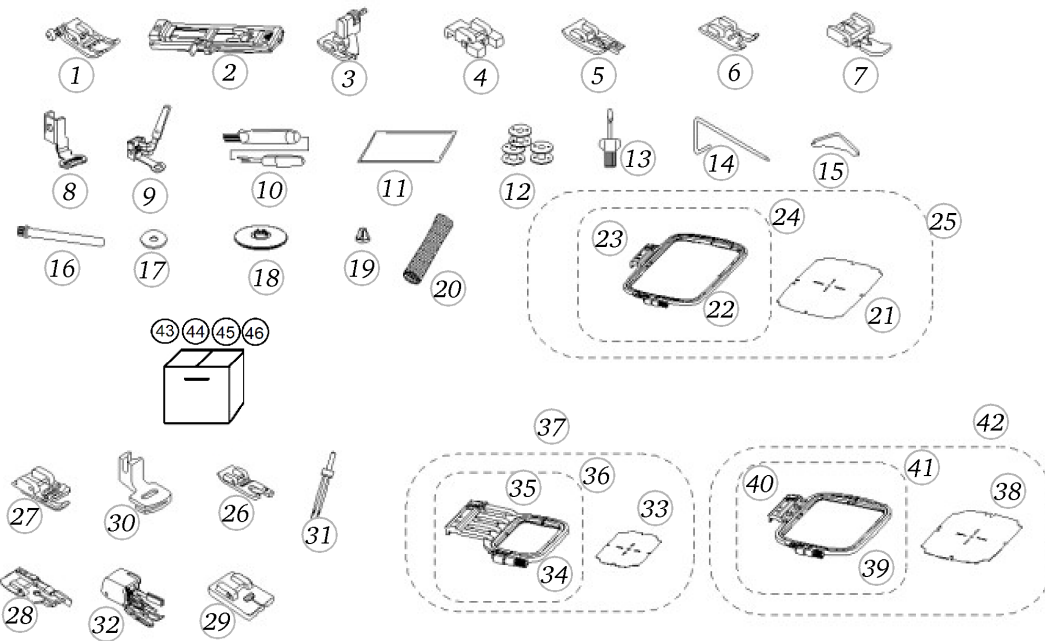
bernette Chicago 7

Embroidery cover



Pos	Item number	Description	Supplier Part no.
1	5020208906	BASE PLATE	H1GA033987
2	H3B0573000	SKIDPROOF PAD (130*10*1)	
3	H3B0583000	SKIDPROOF PAD (80*10*1)	
4	5020208890	SCREW	H3B039002
5	5020206126	NUT	004840022
6	5020208908	TOP COVER (RIGHT)	H3B0093209
7	5020206114	Screw	004240306
8	5020209775	FIXED SPRING	H3B0503003
9	H3B0133086	FIXED POSITION HANDLE	
10	5020209777	Carrying Handle Shaft(Set Washer)	H13093003
11	5020208927	BACK COVER	H3B0113209
12	5020209778	Cord Restraining Strap	AK0073582
13	H3B0563000	DUST-PROOF CUSHION	
14	5020208849	PUSH BUTTON SWITCH CPL	008H3B0012
15	5020208730	9 PIN CONNECTING WIRING	008H1G0007
16	004230605	SET SCREW □M3*10 □	
17	003020043	CS RING	
18	5020208907	TOP COVER	H1GA043209
19	5020206545	SCREW	004230016
20	5020208926	TOP COVER (LEFT)	H3B0103209
21	H3B0383209	EMBROIDERY INNER FRAME (110*170)	
22	5020209276	Embroidery outer frame 110*170	H3B0373209
23	006051009	ANTIRUST PAPER	
24	H1GA034987	BASE PLATE COMPLETE	
25	5020209113	EMB CHICAGO 7	H1GA064987

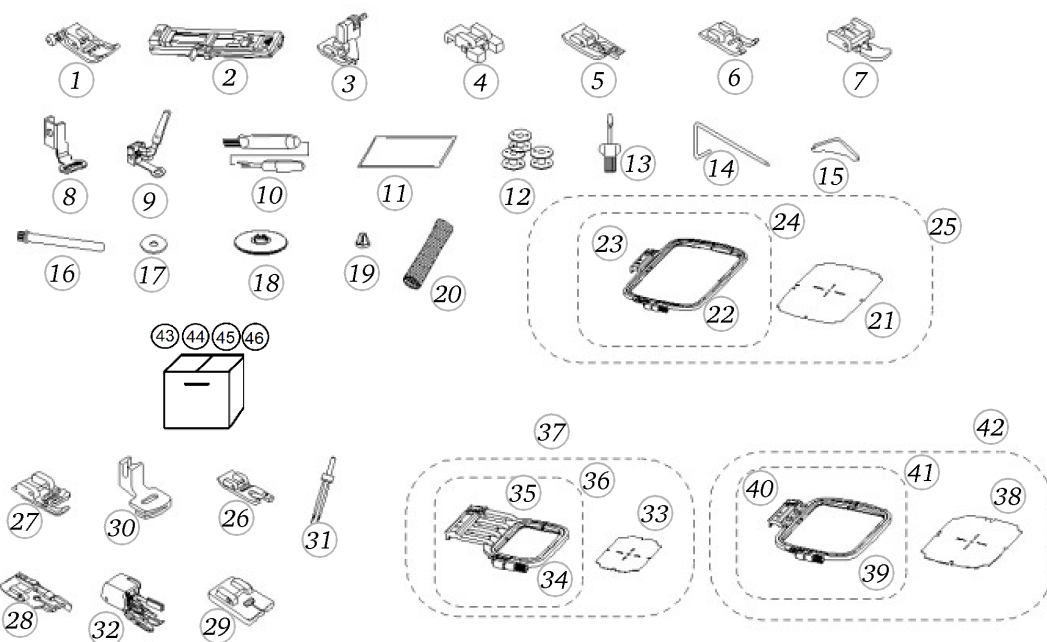
bernette Chicago 7



Accessories

Pos	Item number	Description	Supplier Part no.
1	5020206903	ZIG ZAG FOOT	006D1E0004
2	5020207020	BUTTONHOLE FOOT D	D3A1514000
3	5020205932	BLIND-HEM FOOT	006904008
3	5020206009	BLIND HEM FOOT	U2-FS3-020
4	5020205918	BUTTON SEWING FOOT	006914008
4	5020205998	BUTTON SEWING FOOT	U2-FS3-004
5	5020207308	OVERLOCKFOOT	006D1E0008
6	5020205928	SATIN STITCH FOOT	006472008
6	5020206006	SATIN STITCH FOOT	U2-FS3-017
7	5020205917	ZIPPER FOOT	006905008
7	5020205999	ZIPPER FOOT	U2-FS3-005
8	5020208180	SIMPLE EMBROIDERY FOOT	006H3B0001
9	5020207648	DARNING/EMBROIDERY FOOT	U2-FS329
10	5020205921	SEAM RIPPER/BRUSH	006099008
11	5020207487	NEEDLE SET (3X)	006014148
12	5020208181	BOBBIN 1 PC. UNPACKED	006H1B0001
12	5020209311	BOBBINS 10 PCS. PACKED	U2-FS3-069
13	5020207653	SCREW DRIVER	006R1A0035
14	5020205924	SEAM GUIDE	006008001
15	5020205920	L-SCREWDRIVER	006093009
16	5020207649	SPOOL PIN LONG	H1D0073892
17	5020207090	SPOOL PIN FELT	006015009
18	5020207650	SPOOL SET PLATE	H1D0083892
19	5020205927	SPOOL HOLDER SMALL	TA10943892
20	5020207937	THREAD NET	006R1A0032
21	5020208797	TEMPLATE 110*170	006H3B0011
22	H3B0383209	EMBROIDERY INNER FRAME (110*170)	
23	5020209276	Embroidery outer frame 110*170	H3B0373209
24	H3B0595209	EMBROIDERY COMPLETE (110*170)	
25	5020208731	EMBROIDERY HOOP CPL 110X170	H3B0594209
26	5020205930	HEMMER FOOT	
27	5020205933	CORDING FOOT	
28	5020205934	QUILTING FOOT	
29	5020206000	DARNING/EMBROIDERY FOOT	U2-FS3-009

bernette Chicago 7



Accessories

Pos	Item number	Description	Supplier Part no.
30	5020205936	GATHERING FOOT	
31	5020205939	TWIN NEEDLE	
32	5020207065	WALKING FOOT	0061850081
32	5020206003	WALKING FOOT	U2-FS3-001
33	5020208798	TEMPLATE 40*40	006H3B0014
34	H3B0433209	EMBROIDERY INNER FRAME (40*40)	
35	H3B0423209	EMBROIDERY OUTER FRAME (40*40)	
36	H3B0425209	EMBROIDERY COMPLETE (40*40)	
37	5020208732	EMBROIDERY HOOP CPL 40X40	H3B0424209
38	5020208799	TEMPLATE 100*100	006H3B0013
39	H3B0413209	EMBROIDERY INNER FRAME (100*100)	
40	H3B0403209	EMBROIDERY OUTER FRAME (100*100)	
41	H3B0405209	EMBROIDERY COMPLETE (100*100)	
42	5020208733	EMBROIDERY HOOP CPL 100X100	H3B0404209
43	5020208743	CARTON CHICAGO 7 MACH.	027H1G0115
44	5020208774	CARTON CHICAGO 7 EMB	027H3B0123
45	5020208745	STYROFOAM CHICAGO 7 MACH.	025H1B0001
46	5020208746	STYROFOAM CHICAGO 7 EMB	025H3B0001