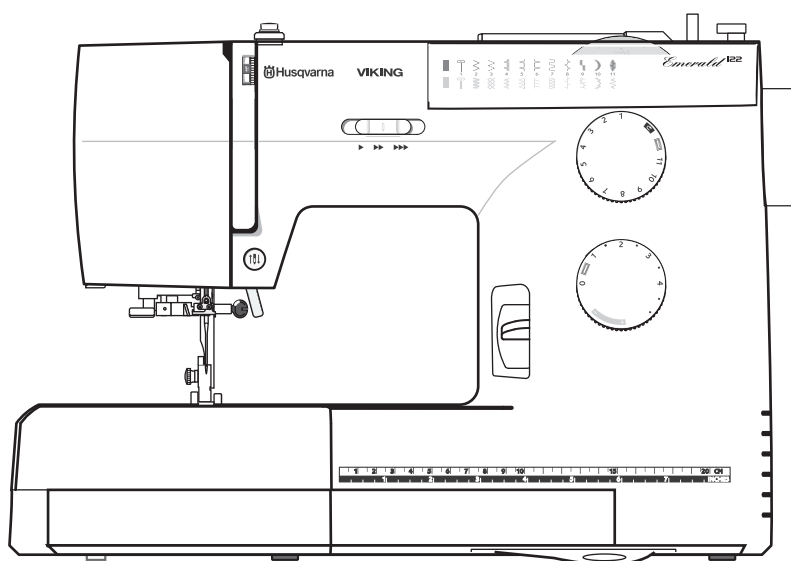


Parts List



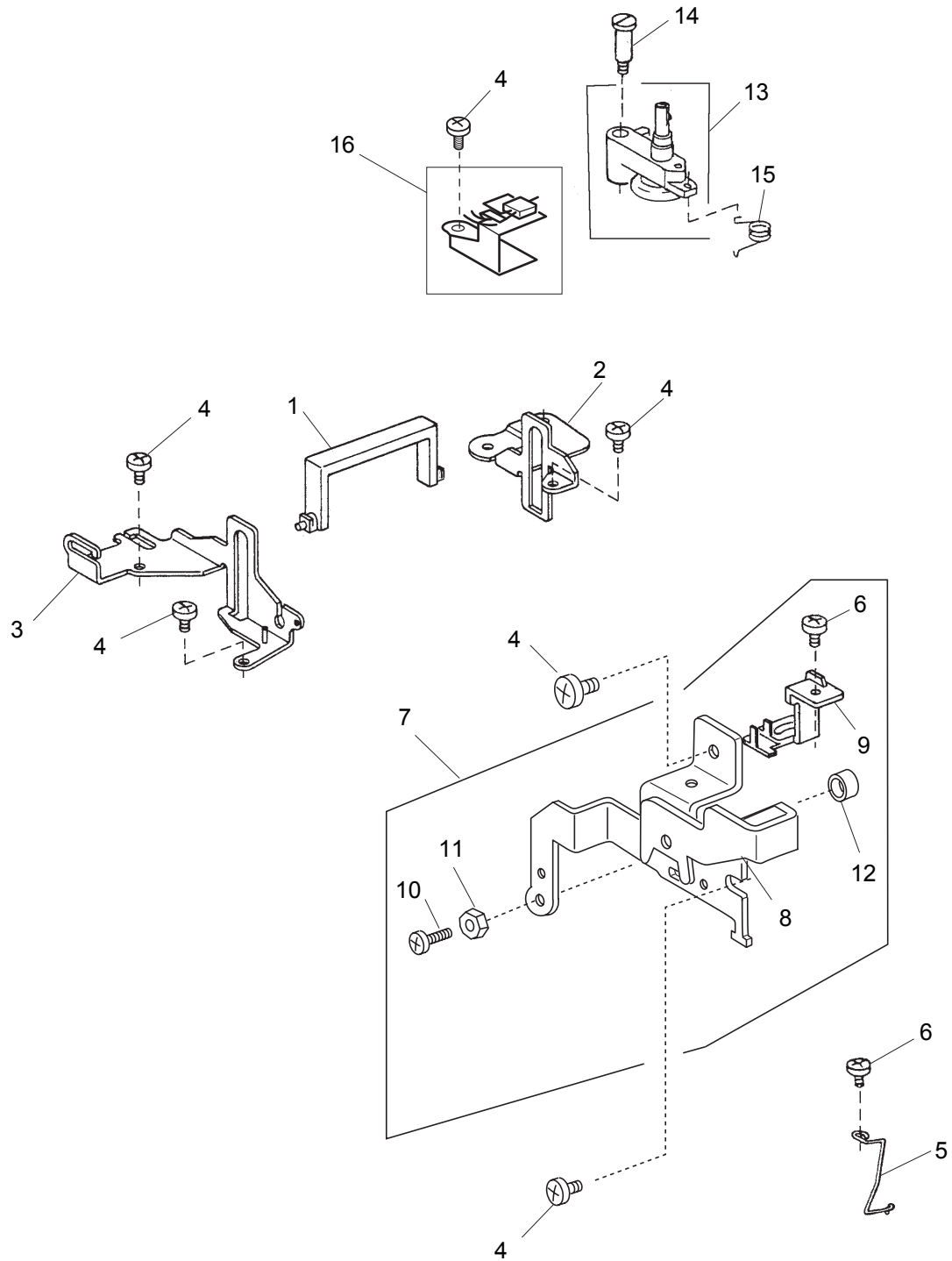
Emerald

116

118

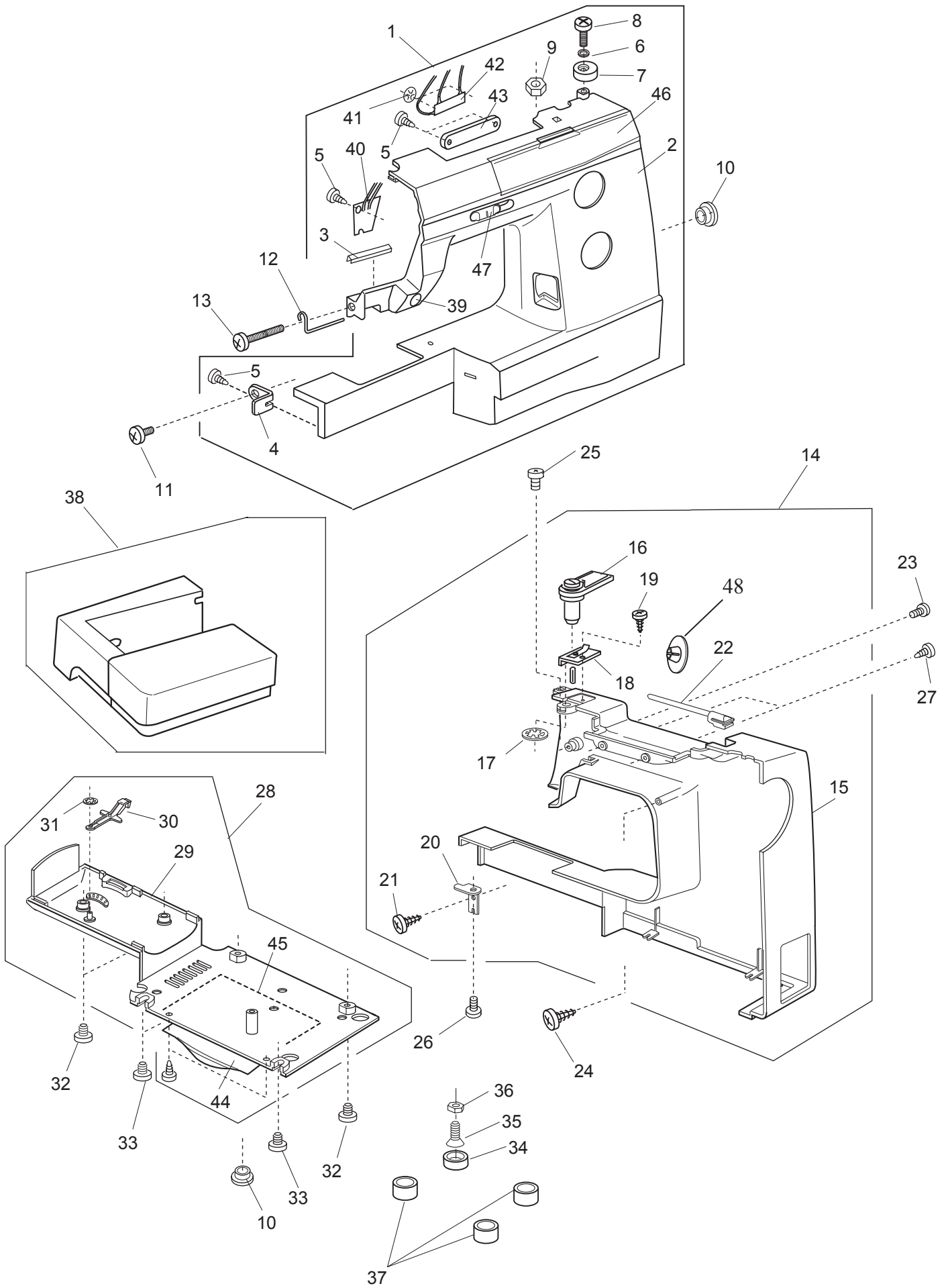
122

A



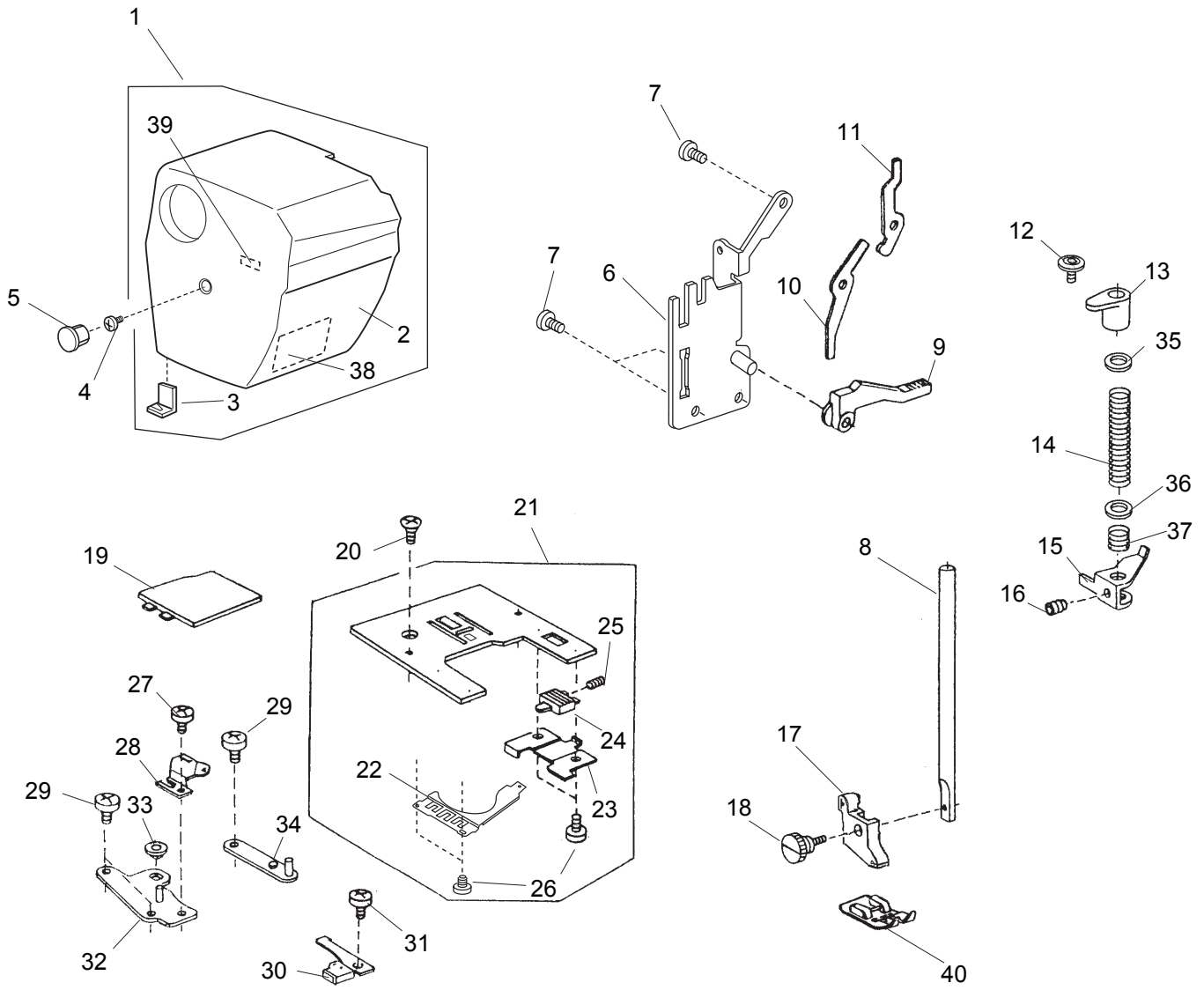
<u>NO.</u>	<u>PART NO.</u>	<u>DESCRIPTION</u>
1	416023201	HANDLE
4	416019701	SET SCREW 4*8
7	416027501	FACE COVER BRACKET UNIT
13	416033501	BOBBIN WINDER UNIT
14	416033001	HINGE SCREW
15	416042801	BOBBIN WINDER SPRING
16	416225201	SWITCH BASE PLATE UNIT (MODEL 122, 118)

B



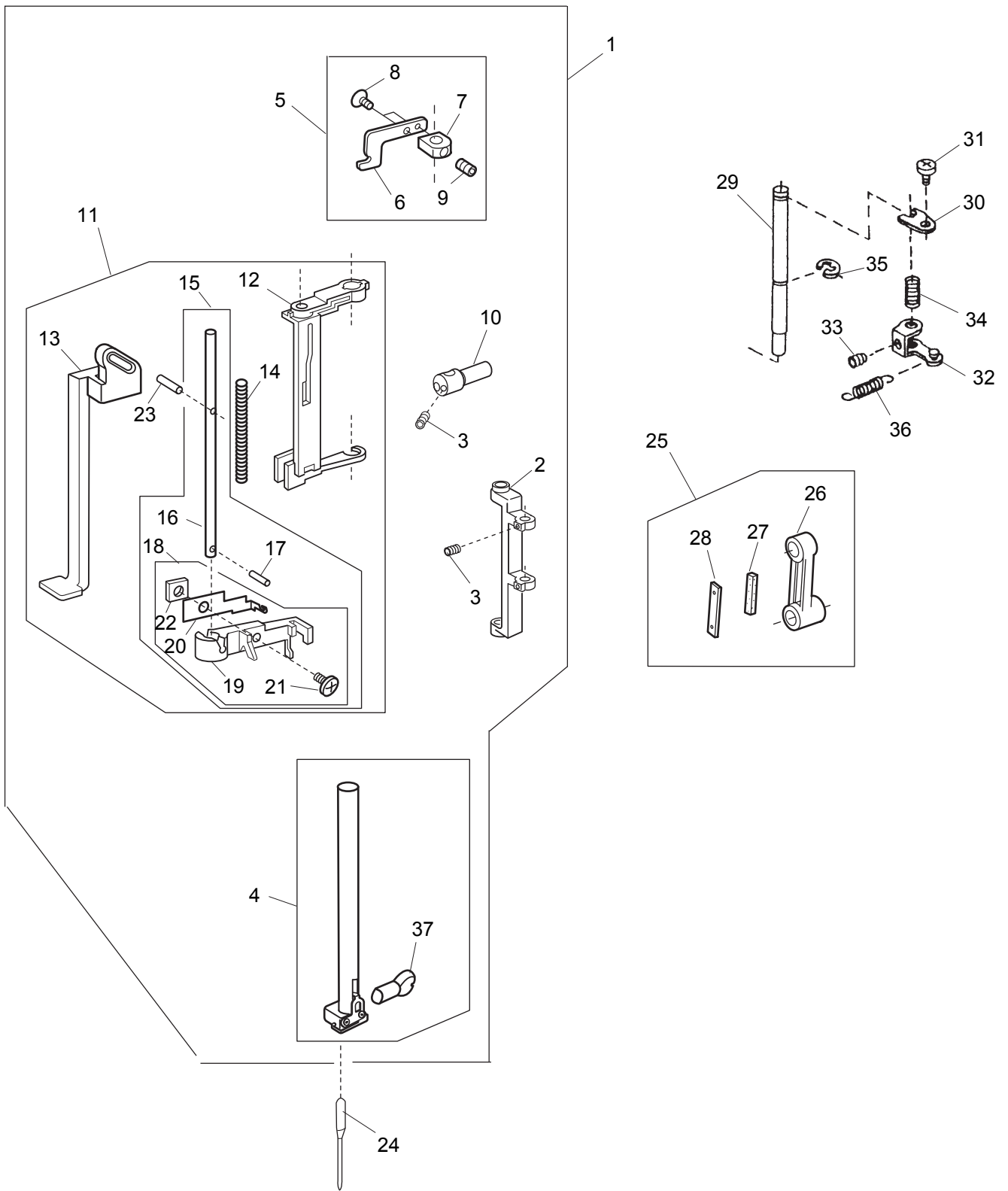
<u>NO.</u>	<u>PART NO.</u>	<u>DESCRIPTION</u>
7	416034901	BOBBIN WINDER STOPPER
10	416035901	CAP
14	416226201	REAR COVER UNIT
16	416032601	THREAD GUIDE UNIT
22	416034001	SPOOL PIN
28	416226701	BASE COVER UNIT
34	416034801	RUBBER FOOT
38	416227001	EXTENSION TABLE UNIT
39	416227201	U/D BUTTON (MODEL 122,118)
40	416227301	CIRCUIT BOARD F UNIT (MODEL 122,118)
42	416227401	SLIDE VOLUME UNIT (MODEL 122,118)
43	416227501	SLIDE VOLUME LID (MODEL 122,118)
46	416228201	ORNAMENTAL PANEL (MODEL 122)
	416228301	ORNAMENTAL PANEL (MODEL 118)
	416228401	ORNAMENTAL PANEL (MODEL 116)
47	416228501	SLIDE SPEED LEVER
48	416078401	SPOOL HOLDER LARGE

C



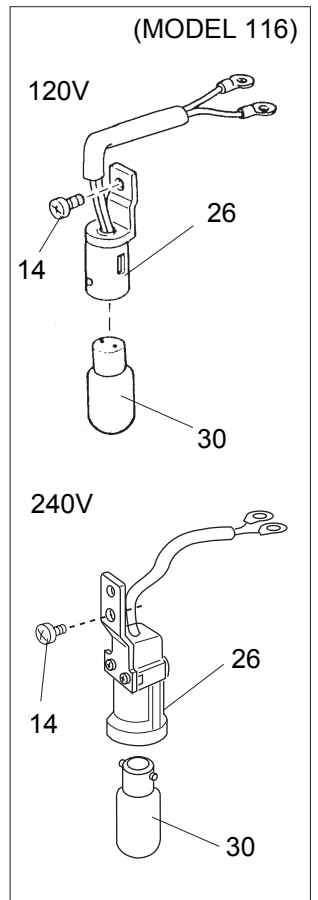
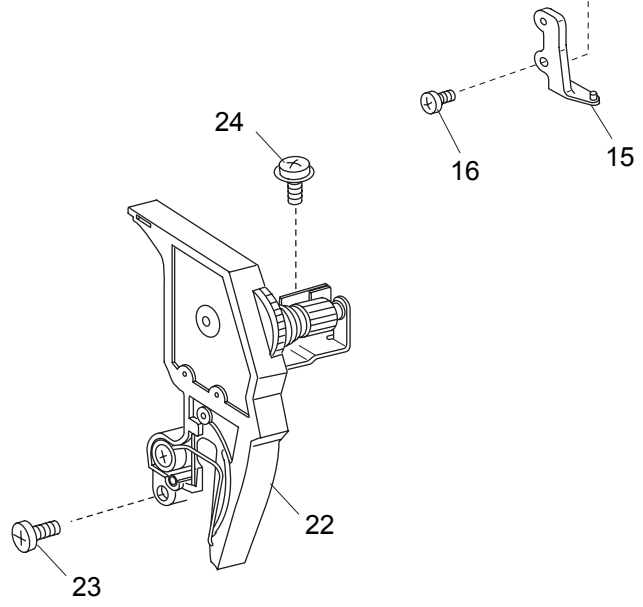
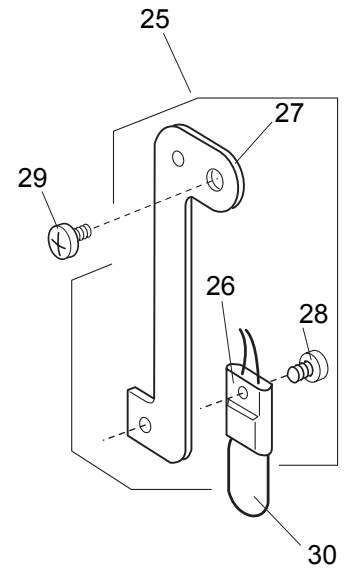
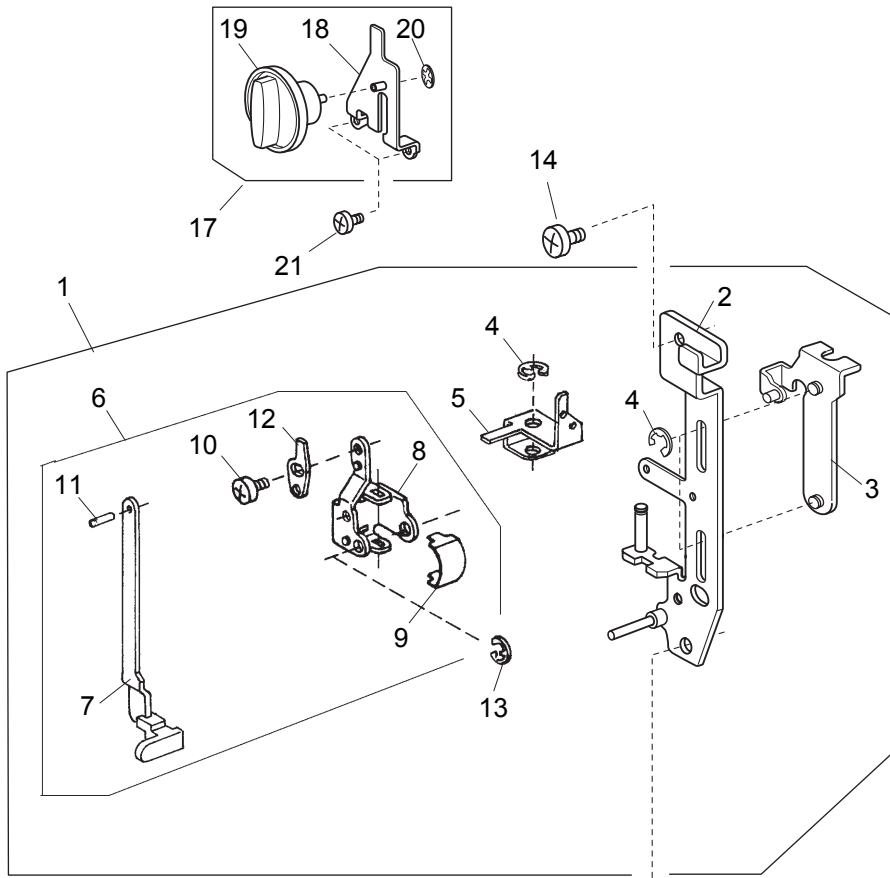
<u>NO.</u>	<u>PART NO.</u>	<u>DESCRIPTION</u>
1	416232801	FACE PLATE UNIT (MODEL 122,118)
	416232901	FACE PLATE UNIT (MODEL 116)
2	416244901	FACE PLATE (MODEL 122,118)
	416245001	FACE PLATE (MODEL 116)
3	416044601	THREAD CUTTER UNIT
5	416035901	CAP
8	416026901	PRESSER BAR
9	416035101	PRESSER FOOT LIFTER
17	416288101	PRESSER FOOT HOLDER
18	416030201	THUMB SCREW
19	416258601	HOOK COVER PLATE
21	416037401	NEEDLE PLATE UNIT
28	416042301	REVERSE STOPPER
30	416037301	STOPPER UNIT
40	412764001	PRESSER FOOT A

D

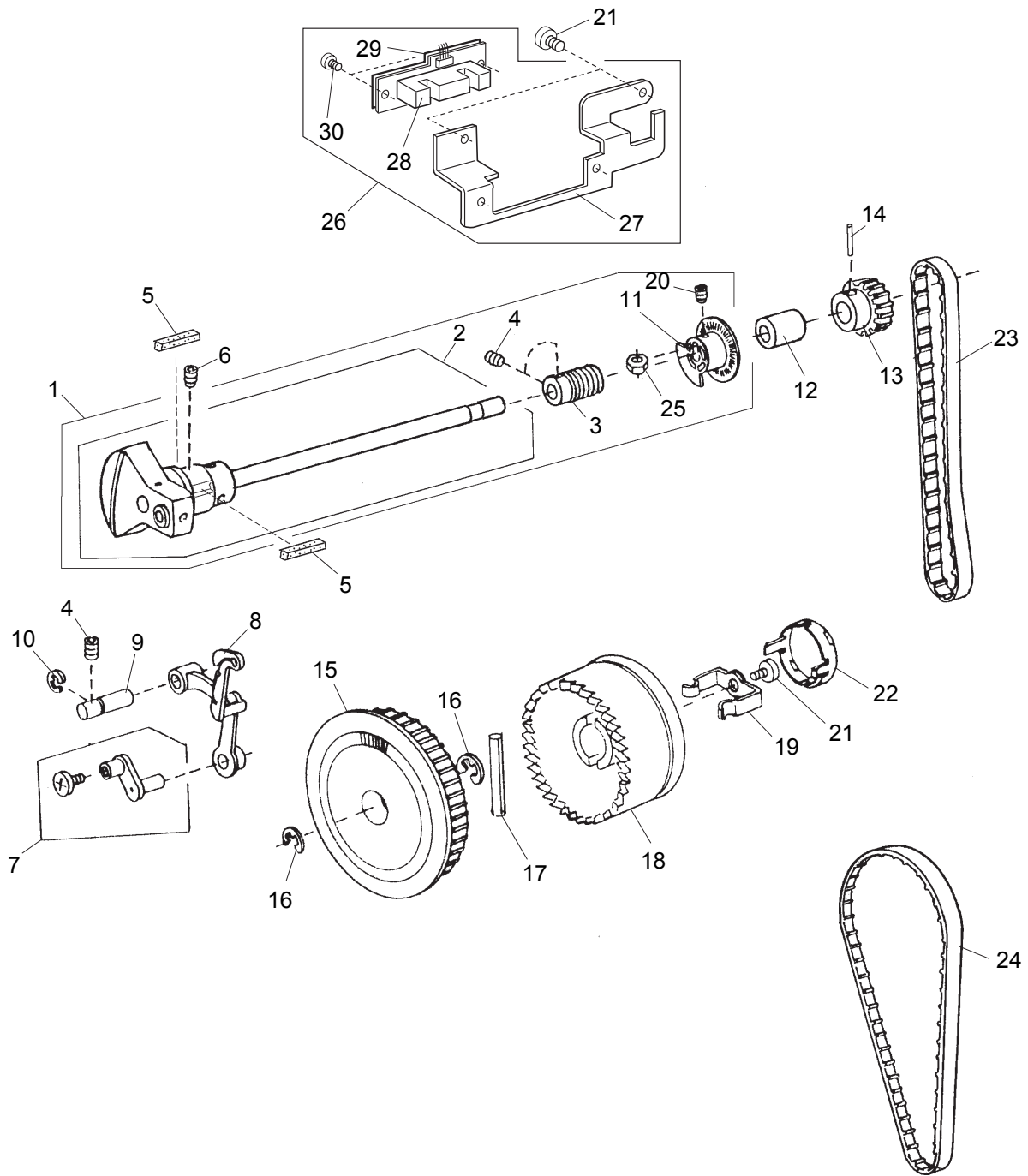


<u>NO.</u>	<u>PART NO.</u>	<u>DESCRIPTION</u>
2	416036301	NEEDLE BAR SUPPORTER
4	416253101	NEEDLE BAR UNIT
11	416044801	THREADER UNIT
18	416040201	THREADER PLATE UNIT
19	416039401	THREADER GUARD
20	416039501	THREADER PLATE
21	416044901	SET SCREW
22	416039901	PLATE NUT
25	416032701	NEEDLE BAR CRANK ROD UNIT
37	416430301	NEEDLE SET SCREW

E

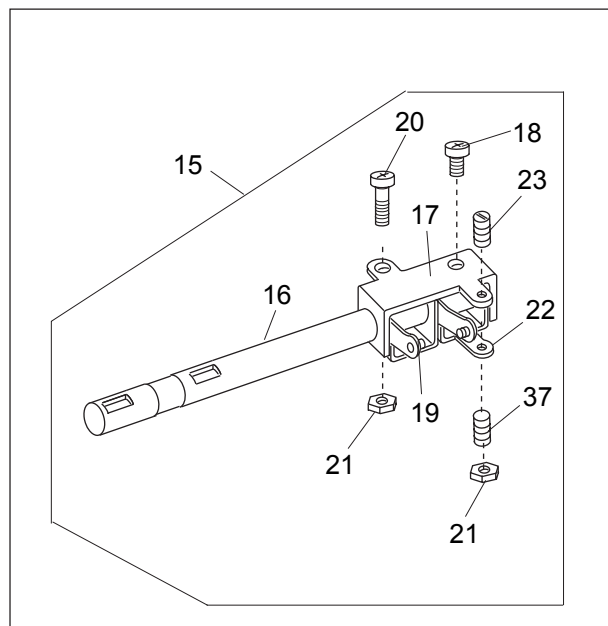
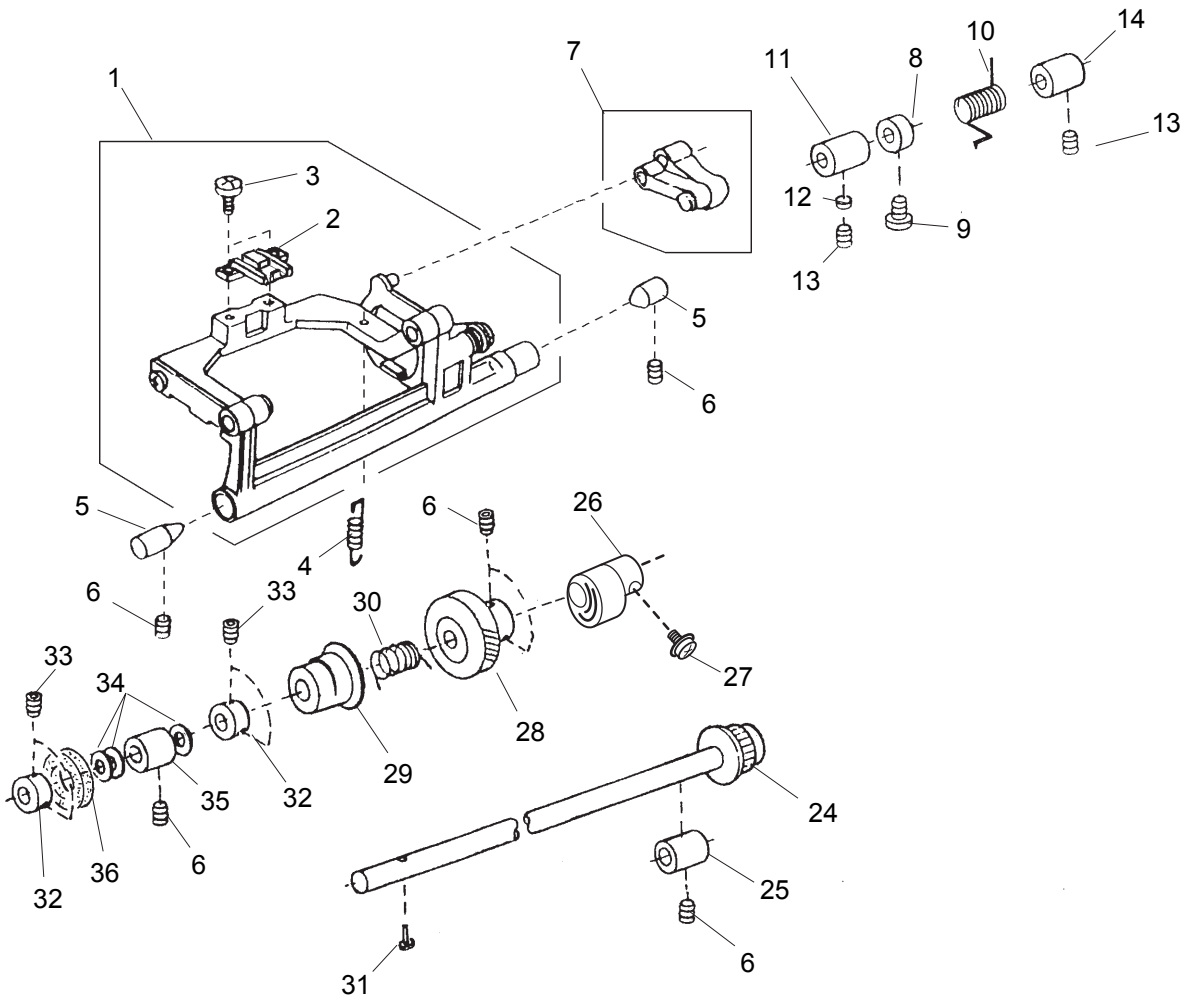


<u>NO.</u>	<u>PART NO.</u>	<u>DESCRIPTION</u>
4	416017401	SNAP RING E-3
6	416037901	BUTTONHOLE LEVER UNIT
19	416253801	PRESSURE DIAL
20	416018101	SNAP RING CS-4
22	416253901	TENSION REGULATOR UNIT (MODEL 122,118)
	416254001	TENSION REGULATOR UNIT (MODEL 116)
26	416254101	LAMP SOCKET UNIT (MODEL 122,118)
	416030301	LAMP SOCKET UNIT (MODEL 116) 120V
	416035601	LAMP SOCKET UNIT (MODEL 116) 240V
30	416049301	WEDGE BASE LAMP 12V 5W (MODEL 122,118)
	416017901	LAMP 120V 15W (MODEL 116)
	416017801	LAMP 240V 15W (MODEL 116)



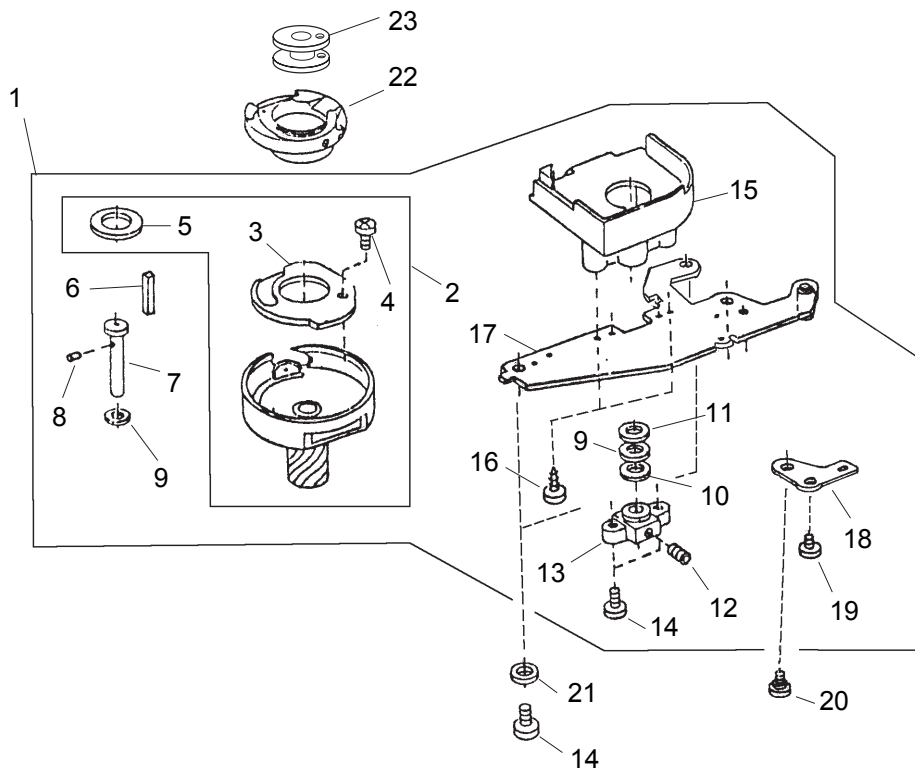
<u>NO.</u>	<u>PART NO.</u>	<u>DESCRIPTION</u>
5	416034601	FELT
8	416041901	THREAD TAKE-UP LEVER UNIT
15	416040401	BELT WHEEL
16	416018601	SNAP RING E-8
18	416035701	HANDWHEEL
19	416030001	CLUTCH SPRING
22	416035801	CAP
23	416031501	TIMING BELT
24	416033801	TIMING BELT
28	416254901	CIRCUIT BOARD N UNIT (MODEL 122,118)

G

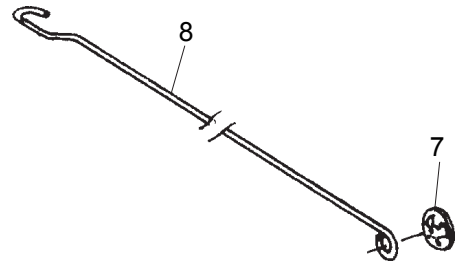
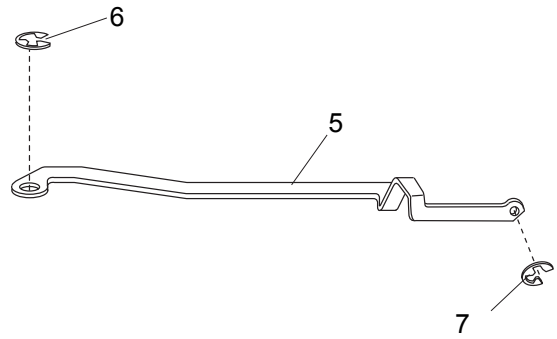
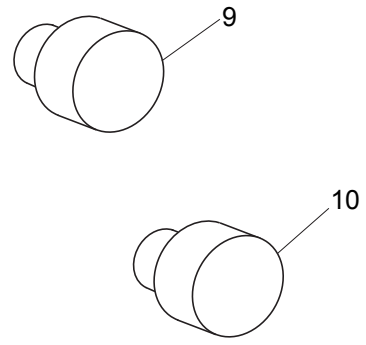
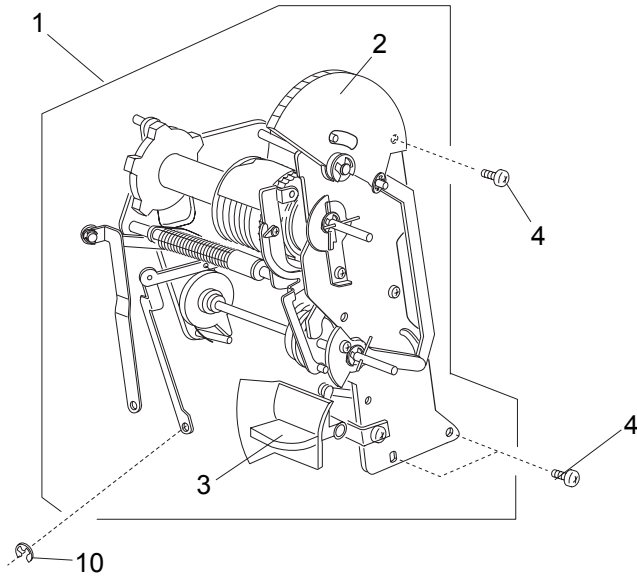


<u>NO.</u>	<u>PART NO.</u>	<u>DESCRIPTION</u>
1	416038001	FEED ROCK SHAFT UNIT
2	416033901	FEED DOG
15	416027801	FEED REGULATOR PLATE UNIT
24	416037701	LOWER SHAFT UNIT
25	416031801	LOWER SHAFT BUSHING (REAR)
26	416037001	FEED CAM
29	416039001	FEED LIFTING CAM

H



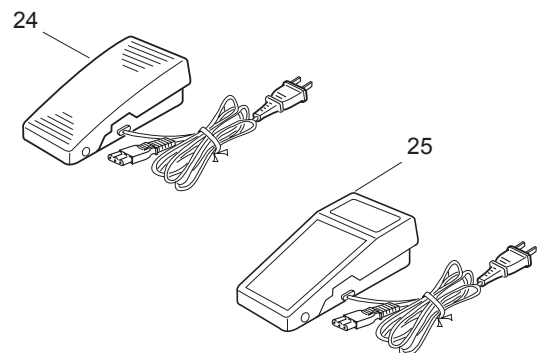
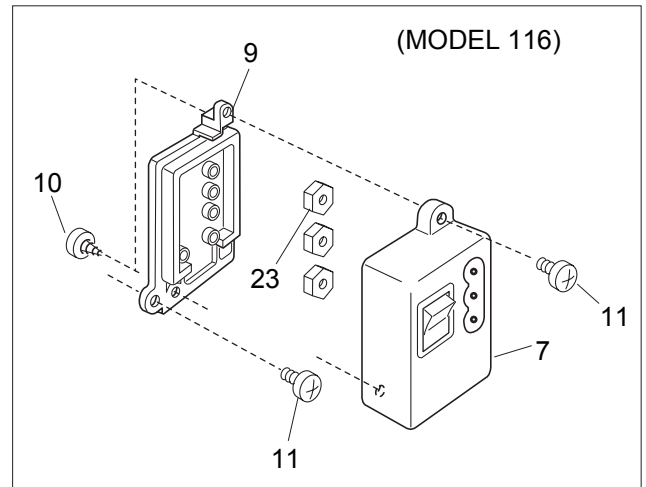
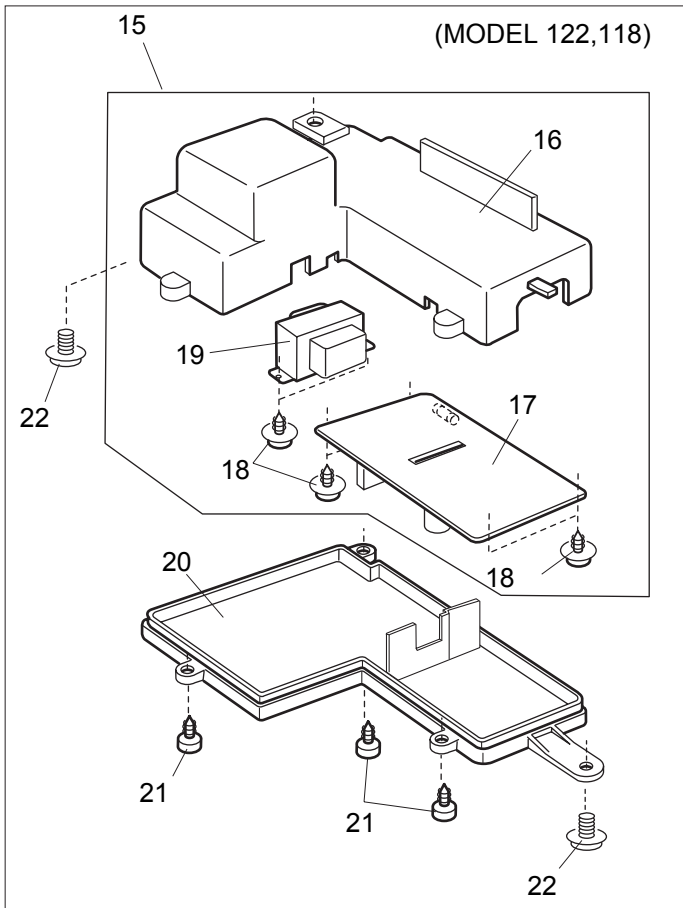
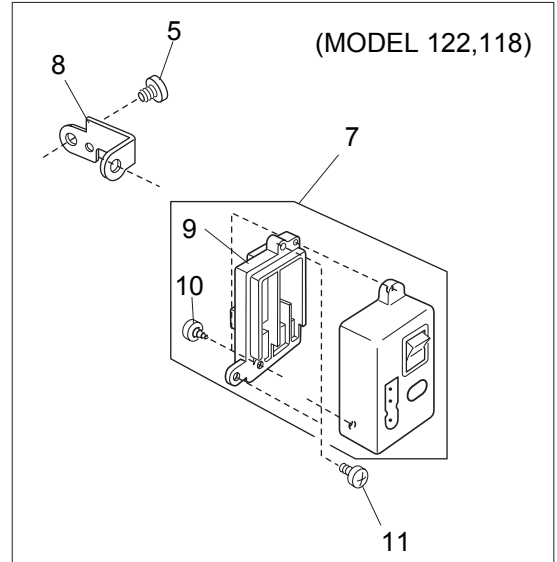
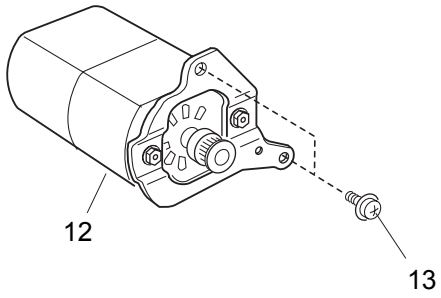
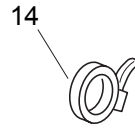
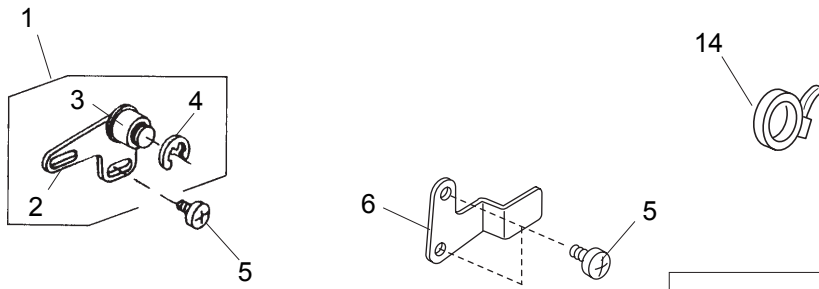
<u>NO.</u>	<u>PART NO.</u>	<u>DESCRIPTION</u>
2	416033701	HOOK RACE UNIT
6	416041101	HOOK DRIVER SHAFT
7	416041201	HOOK SHAFT OIL FELT (1)
8	416041301	HOOK SHAFT OIL FELT (2)
9	416018701	THRUST WASHER 6*0.5
22	416029901	BOBBIN HOLDER UNIT
23	68000175	BOBBIN



NO. PART NO. DESCRIPTION

1	416040601	CAM BLOCK UNIT (MODEL 122)
	416256201	CAM BLOCK UNIT (MODEL 118)
	416256301	CAM BLOCK UNIT (MODEL 116)
9	416256601	PATTERN SELECTOR DIAL (MODEL122)
	416256701	PATTERN SELECTOR DIAL (MODEL 118)
	416256801	PATTERN SELECTOR DIAL (MODEL 116)
10	416256901	STITCH LENGTH DIAL

J



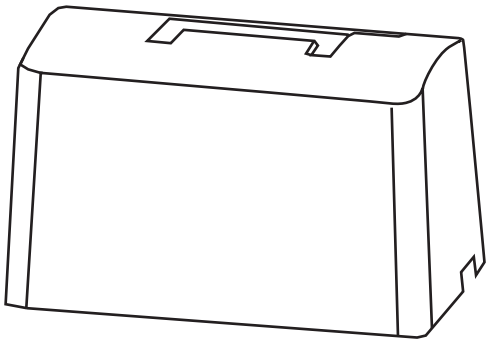
NO.	PART NO.	DESCRIPTION
-----	----------	-------------

1	416039101	IDLER UNIT
7	416257001	MACHINE SOCKET UNIT (MODEL 122,118) 120V
	416035501	MACHINE SOCKET UNIT (MODEL 116) 120V
	416258501	MACHINE SOCKET UNIT (MODEL 122,118) 220V, 240V
	416258801	MACHINE SOCKET UNIT (MODEL 116) 220V, 240V
9	416257201	MACHINE SOCKET LID (MODEL 122,118)
	416023701	MACHINE SOCKET LID (MODEL 116)
12	416258901	MOTOR UNIT (MODEL 122, 118) 120V
	416259001	MOTOR UNIT (MODEL 122, 118) 220V, 240V
	416040701	MOTOR UNIT (MODEL 116) 120V
	416040801	MOTOR UNIT (MODEL 116) 220V - STANDARD
15	416257401	CIRCUIT BOARD CASE UNIT (MODEL 122,118) 120V
	416259401	CIRCUIT BOARD CASE UNIT (MODEL 122,118) 220, 240V
24	416023101	FOOT CONTROL(230 V)
	412680701	FOOT CONTROL (for England)
	416045101	FOOT CONTROL (for Australia)
	416045001	FOOT CONTROL EMERALD 122 120V US /CAN
25	416259901	FOOT CONTROL EMERALD 116 EUROPE
	C2014	FOOT CONTROL EMERALD 116 220V -AUSTRALIA
	412680701	FOOT CONTROL EMERALD 116 UK
	416045001	FOOT CONTROL(120 V) FOOT CONTROL EMERALD 118/122

POWER CORDS

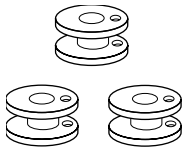
416054401	POWER CORD USA/CANADA
830335004	POWER CORD EUROPE
830314018	POWER CORD AUSTRALIA
412158002	POWER CORD UK

K

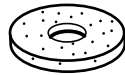


Hard Cover

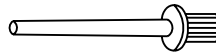
ACCESSORIES



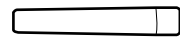
Bobbins X 3



Spool pin felt



Spare spool pin



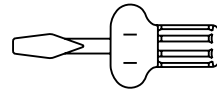
Seam ripper



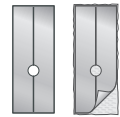
Edge/Quilting Guide



Lint Brush



Large Screw Driver



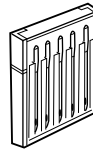
Glide Plates



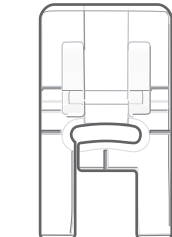
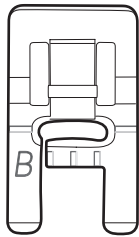
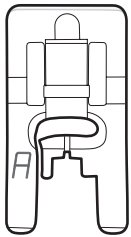
Small Spool Holder



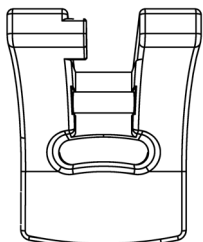
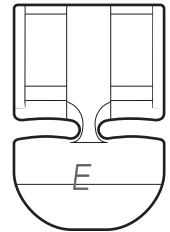
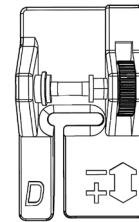
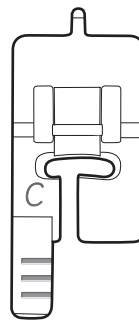
Large Spool Holder



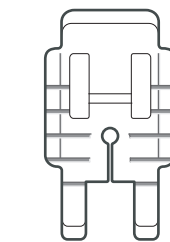
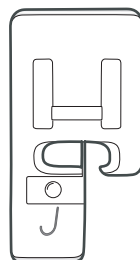
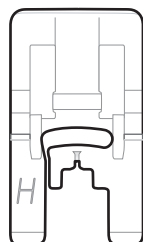
Needle set: 2pcs 75/11
1pcs 80/12, 1pcs 90/14
and 1pcs 75/11 stretch



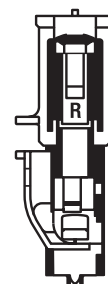
Transp Foot B



Gathering Foot



1/4 PiecingFoot



EMERALD 116/118

68000175	PLASTIC BOBBINS X 3
416023401	SPOOL PIN FELT
412381501	LARGE SCREW DRIVER
416040901	LINT BRUSH
416030401	SEAM RIPPER
416042401	SPOOL HOLDER SMALL
416029201	SPARE SPOOL PIN
416315501	HARD COVER EMERALD 116/118/122

STANDARD ACCESSORY FEET INCLUDED IN BAG WITH MACHINE

413113645	PRESSER FOOT B
412785345	BUTTONHOLE PRESSER FOOT C
412976645	ADJUST. BLIND HEM FOOT
412801501	ZIPPER PRESSER FOOT
412796145	NON-STICK SMOOTH GLIDE FOOT H
412380645	EDGING FOOT J
412601945	EDGE/QUILTING GUIDE
416039201	BH FOOT (R)
412827401	GLIDE PLATE

EMERALD 122

68000175	PLASTIC BOBBINS X 3
416023401	SPOOL PIN FELT
412381501	LARGE SCREW DRIVER
416040901	LINT BRUSH
416030401	SEAM RIPPER
416042401	SPOOL HOLDER SMALL
416029201	SPARE SPOOL PIN
416315501	HARD COVER EMERALD 116/118/122

STANDARD ACCESSORY FEET INCLUDED IN BAG WITH MACHINE

413113645	PRESSER FOOT B
412785345	BUTTONHOLE PRESSER FOOT C
412976645	ADJUST. BLIND HEM FOOT
412801501	ZIPPER PRESSER FOOT
412796145	NON-STICK SMOOTH GLIDE FOOT H
412380645	EDGING FOOT J
412601945	EDGE/QUILTING GUIDE
416039201	BH FOOT (R)
412827401	GLIDE PLATE
413113845	TRANSPARENT FOOT B
412370845	1/4 PIECING FOOT
412797145	GATHERING FOOT